



LIGHTING INNOVATION

# OUTDOOR





# OUTDOOR

---

Light and design for every outdoor space.

The Nobile Outdoor range was created to enhance outdoor spaces with lighting solutions that combine functionality and style. Each product is designed to offer reliable performance over time thanks to the use of high-quality materials and advanced technologies.

From the lighting of gardens and pathways to the enhancement of facades and terraces, Nobile outdoor solutions blend harmoniously into the environment, highlighting its shapes and volumes. The essential, contemporary design is paired with carefully calibrated lighting, capable of creating welcoming or impressive atmospheres, depending on the project requirements.

With Nobile, every outdoor space finds its ideal light.



# NEWS 2026



## FOCUS EVO

A product family that, with a single cylindrical shape, gives life to a range of products developed in three different applications:

### CEILING

**WALL-MOUNTED** (mono and bi-emission)

**PROJECTORS** (3 dimensions)

Available with integrated **LED MODULE** and in **GU10** version.

Available in **3 finishing**: anthracite, white or dark brown

Projector FE2 **can also be installed on a pole** using dedicated accessories.



Salt spray test for 1000 hours

## Ceiling



LED and GU10 version

## Wall-mounted



LED and GU10 version

## Projector



LED and GU10 version for medium size projector



## BRIK EVO

A family consisting of two wall lights with a minimal design that, thanks to their **ASYMMETRICAL OUTPUT**, provide both functional and visually striking lighting.

**2 dimensions:** 8cm and 16cm

**2 emissions:** mono and bi-emission

**3 finishing:** anthracite, white or dark brown.

**CCT selector:**

2700K/3000K/3500K/4000K

Also available in a version with **PRESENCE SENSOR** (BE16)

**MULTIPOWER DRIVER** (BE16)



Salt spray test  
for 1000 hours

### Small size



Mono and bi-emission

### Big size



Mono and bi-emission

# VISUAL INDEX

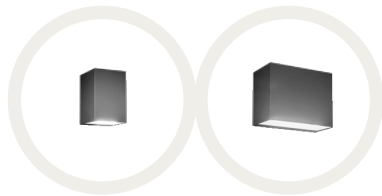
---

## WALL & CEILING p.6

---

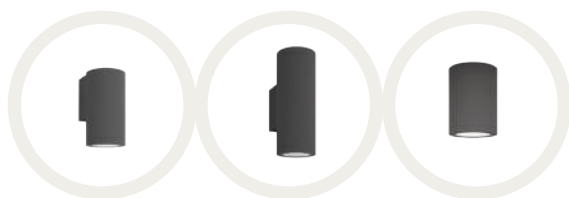
### BRIK EVO p. 8 **NEW**

---



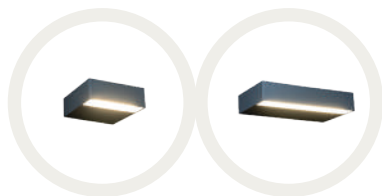
### FOCUS EVO p. 14 **NEW**

---



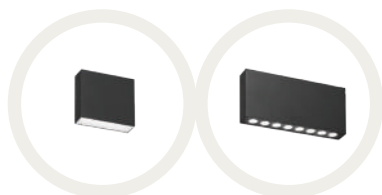
### LEVEL p. 20

---



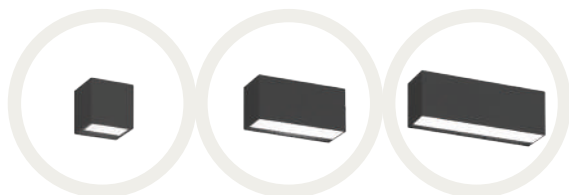
### BRIK PRO p. 26

---



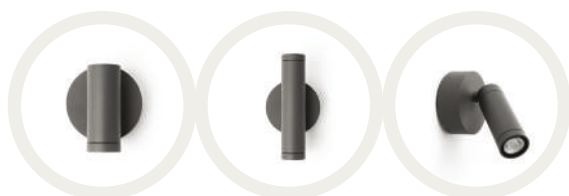
### BRIK p. 34

---



### SPOTTY p. 40

---



## PROJECTORS p.44

---

### FOCUS EVO p. 46 **NEW**

---



### RAY PRO p. 52

---

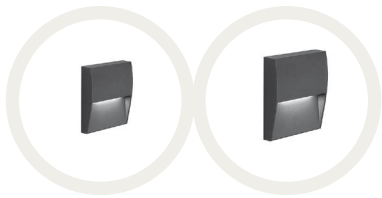


**STEPLIGHT** p.60

---

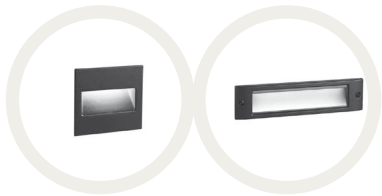
SLOT PRO p. 62

---



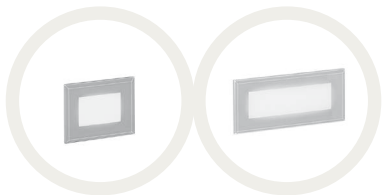
SLOT p. 63

---



241-241/G p. 64/65

---



**INGROUND** p.66

---

UPLIGHT p. 68

---



SIDELIGHT p. 78

---



**BOLLARD** p.82

---

SLIM p. 84

---



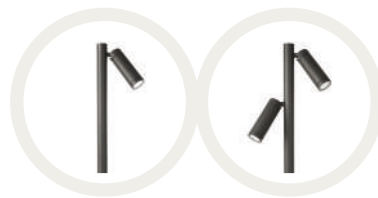
LEVEL p. 90

---



SPOTTY p. 94

---



**STRIP LED FLEX** p.98

---

FL3D48 p. 100

---



FL230V p. 102

---



# WALL & CEILING

---

**BRIK EVO**      **NEW**      8

---

**FOCUS EVO**      **NEW**      14

---

**LEVEL**      20

---

**BRIK PRO**      26

---

**BRIK**      34

---

**SPOTTY**      40

---







# BRIK EVO

Wall-mounted luminaire that perfectly balances aesthetics and performance. Its compact, minimalist design adapts seamlessly to any architectural context. Available in two sizes and two light distributions (single or bi-directional), with an asymmetrical beam designed to optimize functional lighting and enhance the usability of spaces.



**WALL LIGHT  
BE08  
L.8cm - p.10**



**2 EMISSIONS:** mono and bi-emission  
**3 FINISHING:** anthracite, white, dark brown  
**CCT SELECTOR:** 2700K/3000K/3500K/4000K  
**ASYMMETRIC LIGHT DISTRIBUTION**

**WALL LIGHT  
BE16  
L.16cm - p.12**



**2 EMISSIONS:** mono and bi-emission  
**3 FINISHING:** anthracite, white, dark brown  
**CCT SELECTOR:** 2700K/3000K/3500K/4000K  
**MULTIPOWER Driver**  
**ASYMMETRIC LIGHT DISTRIBUTION**

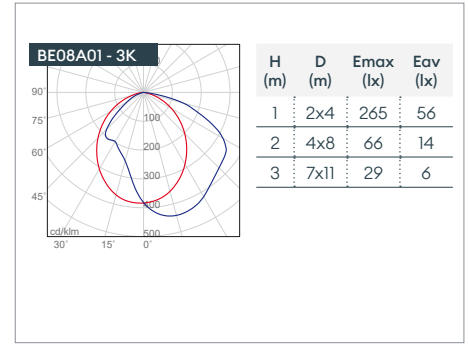
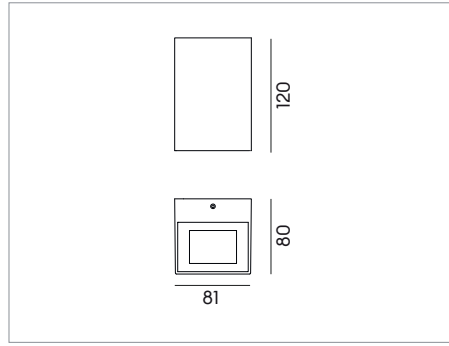
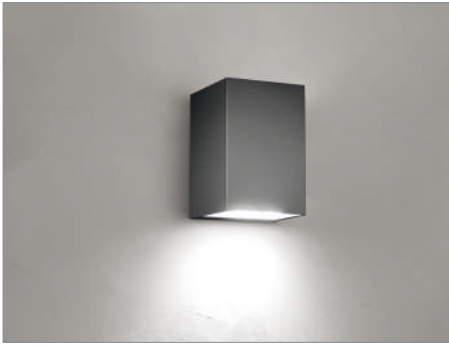
**WALL LIGHT WITH SENSOR  
BE16  
L.16cm - p.13**



**2 EMISSIONS:** mono and bi-emission  
**3 FINISHING:** anthracite, white, dark brown  
**CCT SELECTOR:** 2700K/3000K/3500K/4000K  
**MULTIPOWER Driver**  
**ASYMMETRIC LIGHT DISTRIBUTION**

# BE08A01

Mono-emission



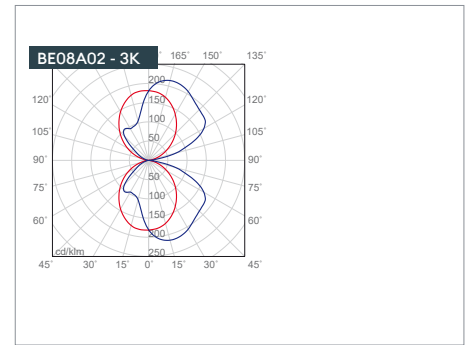
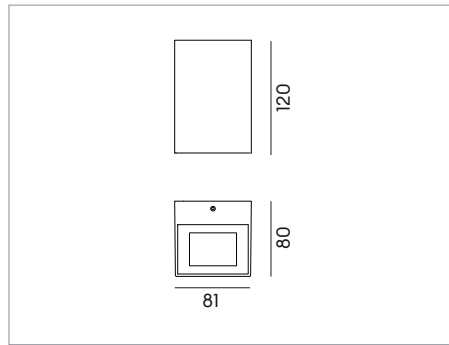
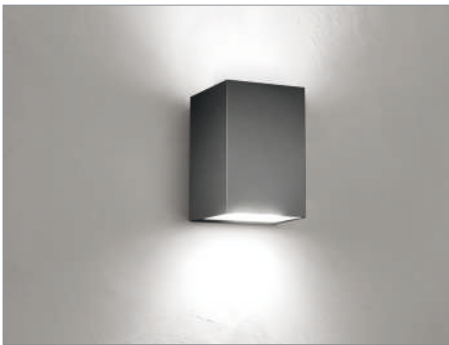
Rectangular outdoor LED luminaire for wall installation, featuring an integrated colour temperature selector: 2700K-3000K-3500K-4000K. SMD LEDs. Lifetime: 75,000 hours (L70B50). Integrated TRIAC dimmable driver. Mono-emission, asymmetrical light beam. Die-cast aluminium body with low copper content, finished in anthracite, white, or dark brown. Clear glass with opal diffuser.



Code	Colour	Real Lm	System/W	CCT	Beam
<b>BE08A01A</b>	Anthracite	615-640-650-665	7.5	2700K-3000K-3500K-4000K	Asymmetrical
<b>BE08A01W</b>	White	615-640-650-665	7.5	2700K-3000K-3500K-4000K	Asymmetrical
<b>BE08A01BR</b>	Dark brown	615-640-650-665	7.5	2700K-3000K-3500K-4000K	Asymmetrical

# BE08A02

Bi-emission



Rectangular outdoor LED luminaire for wall installation, featuring an integrated colour temperature selector: 2700K-3000K-3500K-4000K. SMD LEDs. Lifetime: 75,000 hours (L70B50). Integrated TRIAC dimmable driver. Bi-emission, asymmetrical light beam. Die-cast aluminium body with low copper content, finished in anthracite, white, or dark brown. Clear glass with opal diffuser.

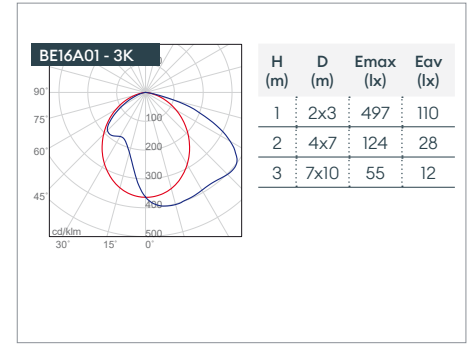
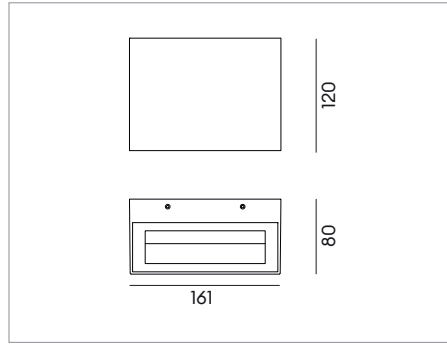
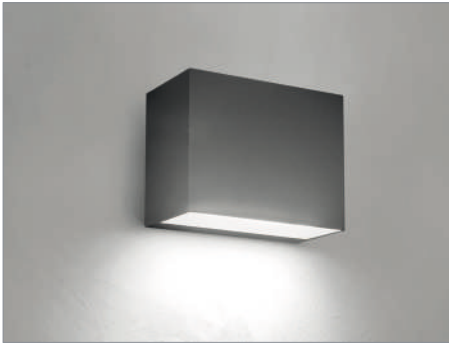


Code	Colour	Real Lm	System/W	CCT	Beam
<b>BE08A02A</b>	Anthracite	1130-1170-1215-1270	12.5	2700K-3000K-3500K-4000K	Asymmetrical
<b>BE08A02W</b>	White	1130-1170-1215-1270	12.5	2700K-3000K-3500K-4000K	Asymmetrical
<b>BE08A02BR</b>	Dark brown	1130-1170-1215-1270	12.5	2700K-3000K-3500K-4000K	Asymmetrical



# BE16A01

Mono-emission



Rectangular outdoor LED luminaire for wall installation, featuring an integrated colour temperature selector: 2700K-3000K-3500K-4000K. SMD LEDs. Lifetime: 75,000 hours (L70B50). Integrated multipower TRIAC dimmable driver. Mono-emission, asymmetrical light beam. Die-cast aluminium body with low copper content, finished in anthracite, white, or dark brown. Clear glass with opal diffuser.



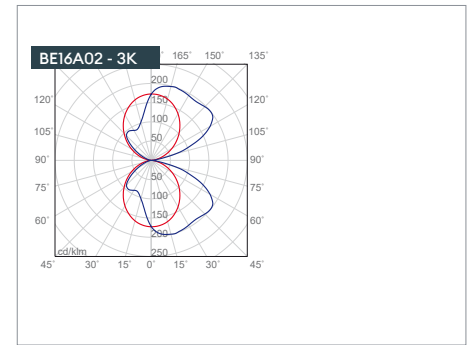
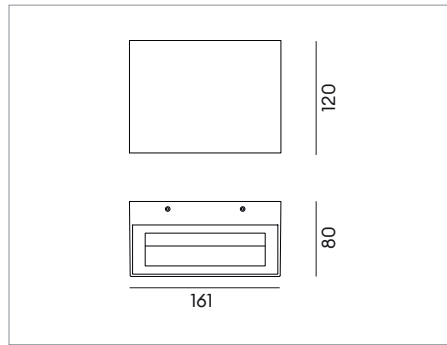
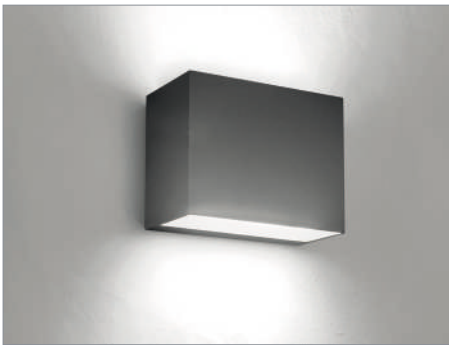
Code	Colour	Real Lm	System/W	CCT	Beam
<b>BE16A01A</b>	Anthracite	1308-1332-1393-1395	4-12	2700K-3000K-3500K-4000K	Asymmetrical
<b>BE16A01W</b>	White	1308-1332-1393-1395	4-12	2700K-3000K-3500K-4000K	Asymmetrical
<b>BE16A01BR</b>	Dark brown	1308-1332-1393-1395	4-12	2700K-3000K-3500K-4000K	Asymmetrical

Range mA	Step	Real Lm	System/W
Multipower TRIAC dimmable driver min 100 - max 450	each 50mA	2700K	min 436 - max 1308
		3000K	min 444 - max 1332
		3500K	min 464 - max 1393
		4000K	min 465 - max 1395
		min 4 - max 12	

# BE16A02

Bi-emission



Rectangular outdoor LED luminaire for wall installation, featuring an integrated colour temperature selector: 2700K-3000K-3500K-4000K. SMD LEDs. Lifetime: 75,000 hours (L70B50). Integrated multipower TRIAC dimmable driver. Bi-emission, asymmetrical light beam. Die-cast aluminium body with low copper content, finished in anthracite, white, or dark brown. Clear glass with opal diffuser.



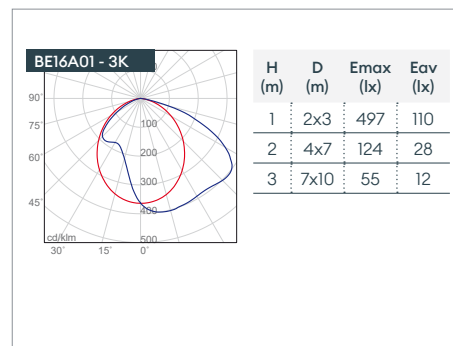
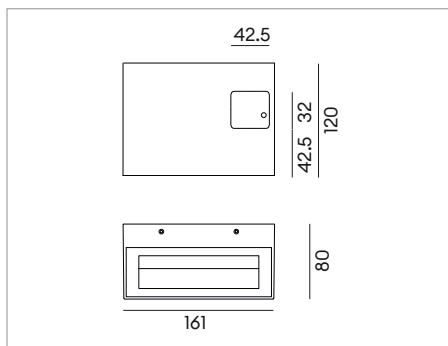
Code	Colour	Real Lm	System/W	CCT	Beam
<b>BE16A02A</b>	Anthracite	2630-2650-2710-2760	5.5-24	2700K-3000K-3500K-4000K	Asymmetrical
<b>BE16A02W</b>	White	2630-2650-2710-2760	5.5-24	2700K-3000K-3500K-4000K	Asymmetrical
<b>BE16A02BR</b>	Dark brown	2630-2650-2710-2760	5.5-24	2700K-3000K-3500K-4000K	Asymmetrical

Range mA	Step	Real Lm	System/W
Multipower TRIAC dimmable driver min 150 - max 900	each 50mA	2700K	min 602 - max 2630
		3000K	min 607 - max 2650
		3500K	min 621 - max 2710
		4000K	min 633 - max 2760
		min 5.5 - max 24	

# BE16A01 WITH SENSOR

Mono-emission



Rectangular outdoor LED luminaire for wall installation, featuring an integrated colour temperature selector: 2700K-3000K-3500K-4000K. SMD LEDs. Lifetime: 75,000 hours (L70B50). Integrated multipower TRIAC dimmable driver. Mono-emission, asymmetrical light beam. Die-cast aluminium body with low copper content, finished in anthracite, white, or dark brown. Clear glass with opal diffuser. Equipped with a microwave presence sensor.

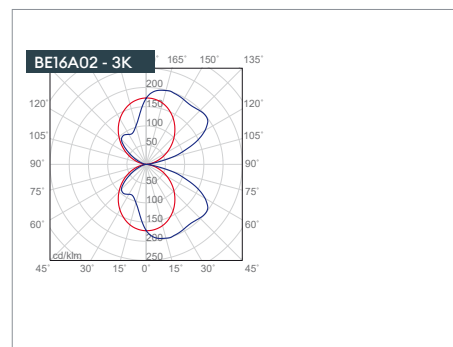
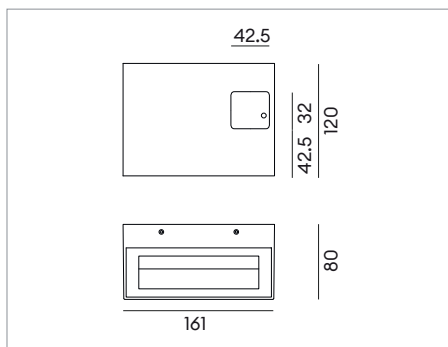
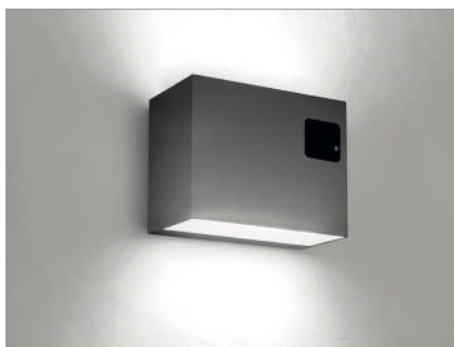


Code	Colour	Real Lm	System/W	CCT	Beam
<b>BE16A01ASENS</b>	Anthracite	1308-1332-1393-1395	6-13.5	2700K-3000K-3500K-4000K	Asymmetrical
<b>BE16A01WSENS</b>	White	1308-1332-1393-1395	6-13.5	2700K-3000K-3500K-4000K	Asymmetrical
<b>BE16A01BSENS</b>	Dark brown	1308-1332-1393-1395	6-13.5	2700K-3000K-3500K-4000K	Asymmetrical

Multipower TRIAC dimmable driver	Range mA	Step	Real Lm	System/W
	min 100 - max 450	each 50mA	2700K min 436 - max 1308 3000K min 444 - max 1332 3500K min 464 - max 1393 4000K min 465 - max 1395	min 6 - max 13.5

# BE16A02 WITH SENSOR

Bi-emission



Rectangular outdoor LED luminaire for wall installation, featuring an integrated colour temperature selector: 22700K-3000K-3500K-4000K. SMD LEDs. Lifetime: 75,000 hours (L70B50). Integrated multipower TRIAC dimmable driver. Bi-emission, asymmetrical light beam. Die-cast aluminium body with low copper content, finished in anthracite, white, or dark brown. Clear glass with opal diffuser. Equipped with a microwave presence sensor.



Code	Colour	Real Lm	System/W	CCT	Beam
<b>BE16A02ASENS</b>	Anthracite	2630-2650-2710-2760	6.5-25	2700K-3000K-3500K-4000K	Asymmetrical
<b>BE16A02WSENS</b>	White	2630-2650-2710-2760	6.5-25	2700K-3000K-3500K-4000K	Asymmetrical
<b>BE16A02BSENS</b>	Dark brown	2630-2650-2710-2760	6.5-25	2700K-3000K-3500K-4000K	Asymmetrical

Multipower TRIAC dimmable driver	Range mA	Step	Real Lm	System/W
	min 150 - max 900	each 50mA	2700K min 602 - max 2630 3000K min 607 - max 2650 3500K min 621 - max 2710 4000K min 633 - max 2760	min 6.5 - max 25

# FOCUS EVO

An elegant and versatile family designed to meet a variety of application needs. A single cylindrical element that can be wall-mounted, available in single- or bi-directional emission, as a ceiling light, or as a spotlight, in three different sizes. Available with an integrated LED module or in a GU10 version.



**CEILING**  
**FE6**  
p.18



**WALL LIGHT**  
**FE4**  
p.16



**WALL LIGHT**  
**FE5**  
p.17





**PROJECTOR  
FE1**  
p.58



**PROJECTOR  
FE2**  
p.59

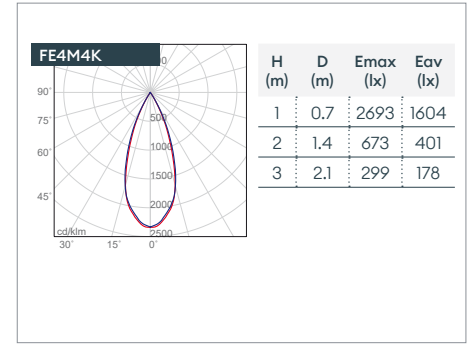
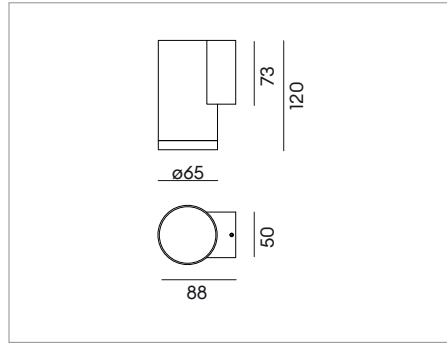


**PROJECTOR  
FE3**  
p.60



# FE4

Mono-emission



Outdoor LED wall light with mounting base for wall installation. Mono-emission. COB LED. Lifetime: 50,000 hours (L70B50). CNC aluminum body, finished in anthracite, white, or dark brown. Clear tempered glass. Polished aluminum reflector. TRIAC dimmable driver included.



Code	Colour	Real Lm	System/W	CCT	Beam
<b>FE4N3KA</b>	Anthracite	1000	10	3000K	17°
<b>FE4N4KA</b>	Anthracite	1000	10	4000K	17°
<b>FE4N3KW</b>	White	1000	10	3000K	17°
<b>FE4N4KW</b>	White	1000	10	4000K	17°
<b>FE4N3KBR</b>	Dark brown	1000	10	3000K	17°
<b>FE4N4KBR</b>	Dark brown	1000	10	4000K	17°
<b>FE4M3KA</b>	Anthracite	1150	10	3000K	40°
<b>FE4M4KA</b>	Anthracite	1150	10	4000K	40°
<b>FE4M3KW</b>	White	1150	10	3000K	40°
<b>FE4M4KW</b>	White	1150	10	4000K	40°
<b>FE4M3KBR</b>	Dark brown	1150	10	3000K	40°
<b>FE4M4KBR</b>	Dark brown	1150	10	4000K	40°
<b>FE4F3KA</b>	Anthracite	1160	10	3000K	50°
<b>FE4F4KA</b>	Anthracite	1160	10	4000K	50°
<b>FE4F3KW</b>	White	1160	10	3000K	50°
<b>FE4F4KW</b>	White	1160	10	4000K	50°
<b>FE4F3KBR</b>	Dark brown	1160	10	3000K	50°
<b>FE4F4KBR</b>	Dark brown	1160	10	4000K	50°

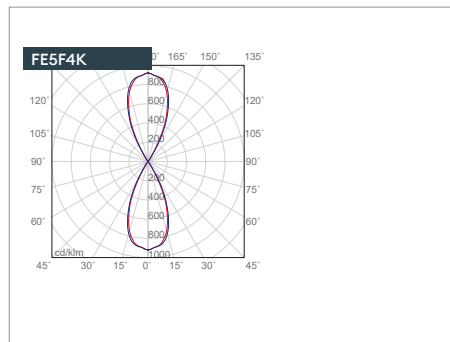
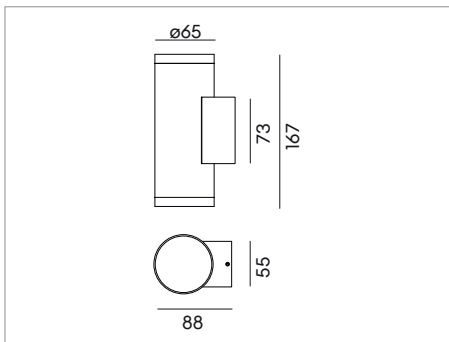
# FE4 - GU10

Outdoor GU10 wall light with mounting base for wall installation. Mono-emission. Supplied with GU10 lamp holder. CNC aluminum body, finished in anthracite, white, or dark brown. Clear tempered glass. GU10 lamp not included.



Code	Colour	Lamp holder	W max
<b>FE4GU10A</b>	Anthracite	GU10	8
<b>FE4GU10W</b>	White	GU10	8
<b>FE4GU10BR</b>	Dark brown	GU10	8

# FE5



Outdoor LED wall light with mounting base for wall installation. Bi-emission. COB LED. Lifetime: 50,000 hours (L70B50). CNC aluminum body, finished in anthracite, white, or dark brown. Clear tempered glass. Polished aluminum reflector. TRIAC dimmable driver included.

CRI >80
17°
40°
50°
IP65
V 220 240
TRIAC
CAM
CE
5
1000h
A
W
BR

Code	Colour	Real Lm	System/W	CCT	Beam
FE5N3KA	Anthracite	1600	16	3000K	17°
FE5N4KA	Anthracite	1600	16	4000K	17°
FE5N3KW	White	1600	16	3000K	17°
FE5N4KW	White	1600	16	4000K	17°
FE5N3KBR	Dark brown	1600	16	3000K	17°
FE5N4KBR	Dark brown	1600	16	4000K	17°
FE5M3KA	Anthracite	1840	16	3000K	40°
FE5M4KA	Anthracite	1840	16	4000K	40°
FE5M3KW	White	1840	16	3000K	40°
FE5M4KW	White	1840	16	4000K	40°
FE5M3KBR	Dark brown	1840	16	3000K	40°
FE5M4KBR	Dark brown	1840	16	4000K	40°
FE5F3KA	Anthracite	1850	16	3000K	50°
FE5F4KA	Anthracite	1850	16	4000K	50°
FE5F3KW	White	1850	16	3000K	50°
FE5F4KW	White	1850	16	4000K	50°
FE5F3KBR	Dark brown	1850	16	3000K	50°
FE5F4KBR	Dark brown	1850	16	4000K	50°

# FE5 - GU10

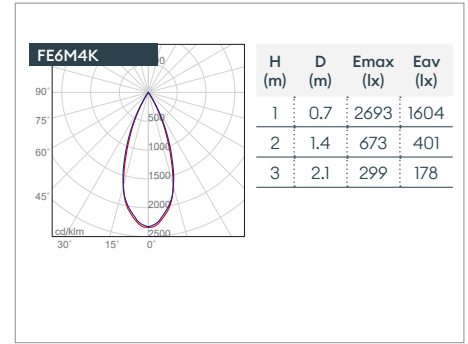
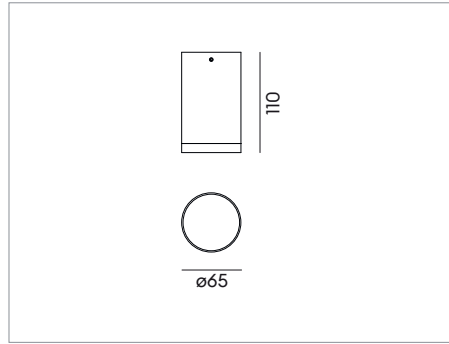
Outdoor GU10 wall light with mounting base for wall installation. Bi-emission. Supplied with GU10 lamp holder. CNC aluminum body, finished in anthracite, white, or dark brown. Clear tempered glass. GU10 lamp not included.

IP65
V 220 240
CE
5
1000h
A
W
BR

Code	Colour	Lamp holder	W max
FE5GU10A	Anthracite	GU10	8
FE5GU10W	White	GU10	8
FE5GU10BR	Dark brown	GU10	8

# FE6

Ceiling



Outdoor LED ceiling-mounted luminaire. COB LED. Lifetime: 50,000 hours (L70B50). CNC aluminum body, finished in anthracite, white, or dark brown. Clear tempered glass. Polished aluminum reflector. TRIAC dimmable driver included.



Code	Colour	Real Lm	System/W	CCT	Beam
<b>FE6N3KA</b>	Anthracite	1000	10	3000K	17°
<b>FE6N4KA</b>	Anthracite	1000	10	4000K	17°
<b>FE6N3KW</b>	White	1000	10	3000K	17°
<b>FE6N4KW</b>	White	1000	10	4000K	17°
<b>FE6N3KBR</b>	Dark brown	1000	10	3000K	17°
<b>FE6N4KBR</b>	Dark brown	1000	10	4000K	17°
<b>FE6M3KA</b>	Anthracite	1150	10	3000K	40°
<b>FE6M4KA</b>	Anthracite	1150	10	4000K	40°
<b>FE6M3KW</b>	White	1150	10	3000K	40°
<b>FE6M4KW</b>	White	1150	10	4000K	40°
<b>FE6M3KBR</b>	Dark brown	1150	10	3000K	40°
<b>FE6M4KBR</b>	Dark brown	1150	10	4000K	40°
<b>FE6F3KA</b>	Anthracite	1160	10	3000K	50°
<b>FE6F4KA</b>	Anthracite	1160	10	4000K	50°
<b>FE6F3KW</b>	White	1160	10	3000K	50°
<b>FE6F4KW</b>	White	1160	10	4000K	50°
<b>FE6F3KBR</b>	Dark brown	1160	10	3000K	50°
<b>FE6F4KBR</b>	Dark brown	1160	10	4000K	50°

# FE6 - GU10

Outdoor GU10 ceiling-mounted luminaire. Supplied with GU10 lamp holder. CNC aluminum body, finished in anthracite, white, or dark brown. Clear tempered glass. GU10 lamp not included.



Code	Colour	Lamp holder	W max
<b>FE6GU10A</b>	Anthracite	GU10	8
<b>FE6GU10W</b>	White	GU10	8
<b>FE6GU10BR</b>	Dark brown	GU10	8



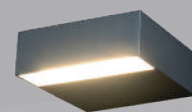
# LEVEL

LEVEL is a wall-mounted luminaire with a square, minimal design that integrates seamlessly into any environment, highlighting light effects. Its modularity makes it suitable for various applications: 2 sizes, 2 light outputs, and 4 finishes. It can also be mounted on bollards.



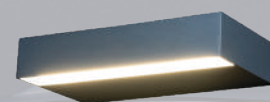


**WALL LIGHT**  
**LV12**  
L.12cm - p.22



**2 EMISSIONS:** mono and bi-emission  
**4 FINISHING:** anthracite, grey, white  
or dark brown  
**2 CCT:** 3000K - 4000K  
**Pole available for BOLLARD version**

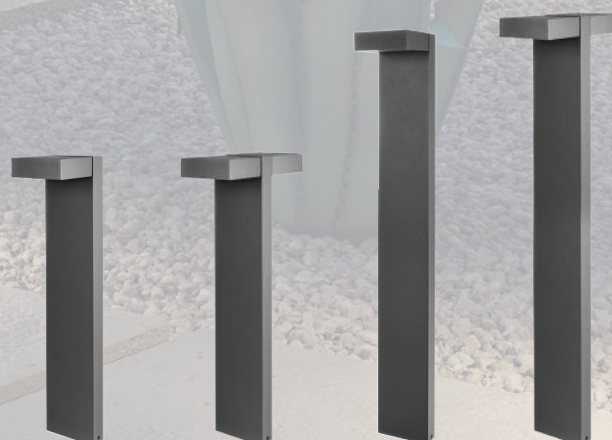
**WALL LIGHT**  
**LV22**  
L.22cm - p.23



**2 EMISSIONS:** mono and bi-emission  
**4 FINISHING:** anthracite, grey, white  
or dark brown  
**2 CCT:** 3000K - 4000K

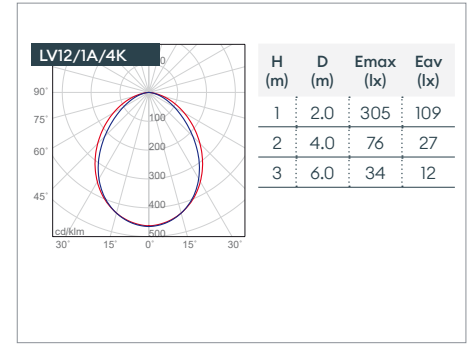
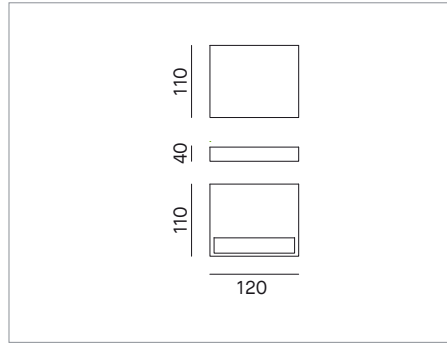
**BOLLARD**  
**LV060 - LV090**  
H.60cm or H. 90cm - p.112

**Suitable for WALL LIGHT LV12**  
**SINGLE:** mono-emission  
**DOUBLE:** bi-emission  
**2 FINISHING** anthracite or dark brown



# LV12/1A

Mono-emission



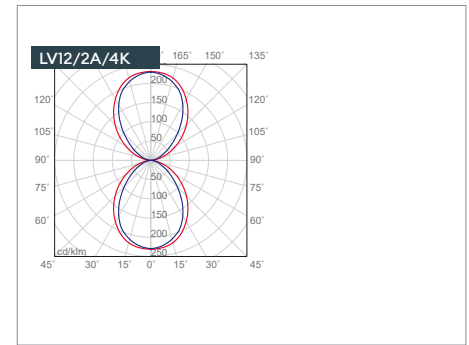
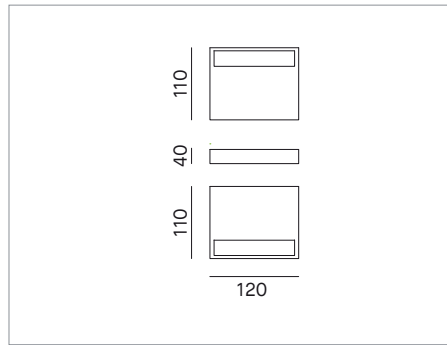
Outdoor LED luminaire for wall installation. Mono-emission. LED SMD. Lifetime 50.000 hours (L80B20). Die-cast aluminium body, finished in anthracite, grey, white, or dark brown. Integrated TRIAC dimmable driver. Opal PC diffuser.



Code	Colour	Real Lm	System/W	CCT	Beam
LV12/1A/3K/A	Anthracite	620	6.5	3000K	80°
LV12/1A/4K/A	Anthracite	660	6.5	4000K	80°
LV12/1A/3K/G	Grey	620	6.5	3000K	80°
LV12/1A/4K/G	Grey	660	6.5	4000K	80°
LV12/1A/3K/W	White	620	6.5	3000K	80°
LV12/1A/4K/W	White	660	6.5	4000K	80°
LV12/1A/3K/BR	Dark brown	620	6.5	3000K	80°
LV12/1A/4K/BR	Dark brown	660	6.5	4000K	80°

# LV12/2A

Bi-emission



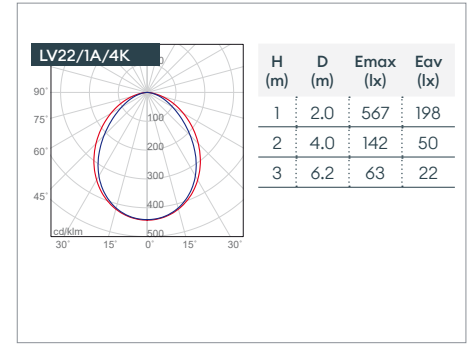
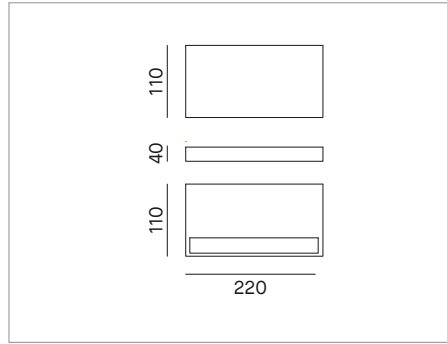
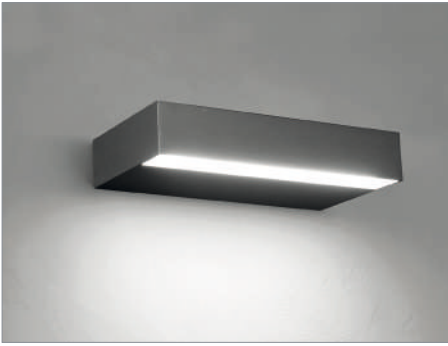
Outdoor LED luminaire for wall installation. Bi-emission. LED SMD. Lifetime 50.000 hours (L80B20). Die-cast aluminium body, finished in anthracite, grey, white, or dark brown. Integrated TRIAC dimmable driver. Opal PC diffuser.



Code	Colour	Real Lm	System/W	CCT	Beam
LV12/2A/3K/A	Anthracite	2x620	2x6.5	3000K	80°
LV12/2A/4K/A	Anthracite	2x660	2x6.5	4000K	80°
LV12/2A/3K/G	Grey	2x620	2x6.5	3000K	80°
LV12/2A/4K/G	Grey	2x660	2x6.5	4000K	80°
LV12/2A/3K/W	White	2x620	2x6.5	3000K	80°
LV12/2A/4K/W	White	2x660	2x6.5	4000K	80°
LV12/2A/3K/BR	Dark brown	2x620	2x6.5	3000K	80°
LV12/2A/4K/BR	Dark brown	2x660	2x6.5	4000K	80°

## LV22/1A

## Mono-emission



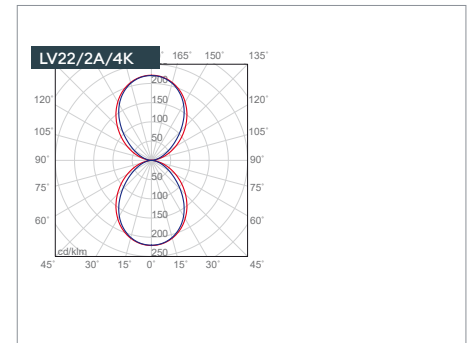
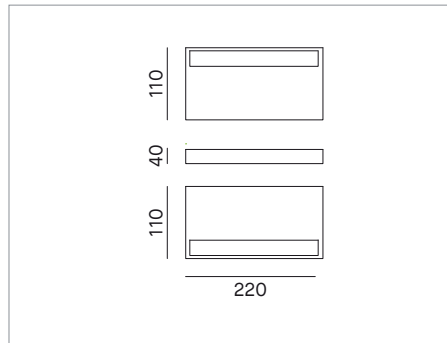
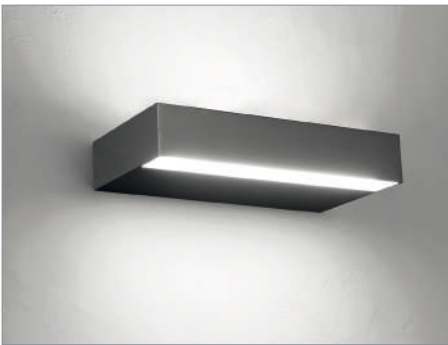
Outdoor LED luminaire for wall installation. Mono-emission. LED SMD. Lifetime 50.000 hours (L80B20). Die-cast aluminium body, finished in anthracite, grey, white, or dark brown. Integrated TRIAC dimmable driver. Opal PC diffuser.



Code	Colour	Real Lm	System/W	CCT	Beam
LV22/1A/3K/A	Anthracite	1240	13	3000K	80°
LV22/1A/4K/A	Anthracite	1280	13	4000K	80°
LV22/1A/3K/G	Grey	1240	13	3000K	80°
LV22/1A/4K/G	Grey	1280	13	4000K	80°
LV22/1A/3K/W	White	1240	13	3000K	80°
LV22/1A/4K/W	White	1280	13	4000K	80°
LV22/1A/3K/BR	Dark brown	1240	13	3000K	80°
LV22/1A/4K/BR	Dark brown	1280	13	4000K	80°

## LV22/2A

## Bi-emission



Outdoor LED luminaire for wall installation. Bi-emission. LED SMD. Lifetime 50.000 hours (L80B20). Die-cast aluminium body, finished in anthracite, grey, white, or dark brown. Integrated TRIAC dimmable driver. Opal PC diffuser.



Code	Colour	Real Lm	System/W	CCT	Beam
LV22/2A/3K/A	Anthracite	2x1240	2x13	3000K	80°
LV22/2A/4K/A	Anthracite	2x1280	2x13	4000K	80°
LV22/2A/3K/G	Grey	2x1240	2x13	3000K	80°
LV22/2A/4K/G	Grey	2x1280	2x13	4000K	80°
LV22/2A/3K/W	White	2x1240	2x13	3000K	80°
LV22/2A/4K/W	White	2x1280	2x13	4000K	80°
LV22/2A/3K/BR	Dark brown	2x1240	2x13	3000K	80°
LV22/2A/4K/BR	Dark brown	2x1280	2x13	4000K	80°





# BRIK PRO

Compact, minimalist wall light.  
Available in two sizes, two light distributions,  
and four finishes, it adapts seamlessly to any  
space.





**BP12**  
p.28



**L. 12cm**  
**2 EMISSIONS:**  
mono and bi-emission  
**Opal glass diffuser**

**BP22/\_D**  
p.30



**L. 22cm**  
**2 EMISSIONS:**  
mono and bi-emission  
**Opal glass diffuser**

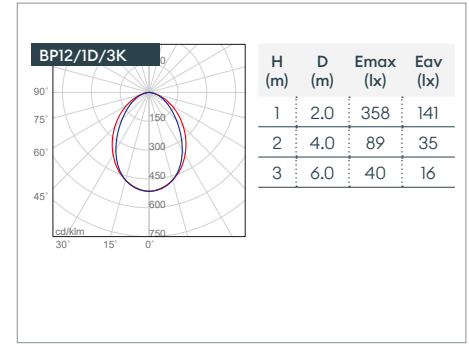
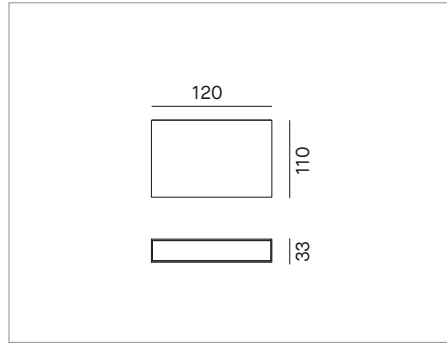
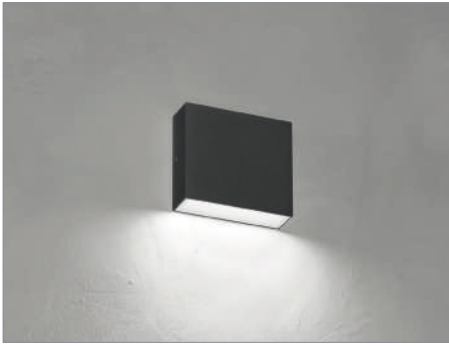
**BP22/\_B and /\_C**  
p.32-33



**L. 22cm**  
**2 EMISSIONS:**  
mono and bi-emission  
**Screen-printed glass diffuser**  
for **20×30°** beam distribution - **BP22/\_B**  
for **asymmetric** beam distribution - **BP22/\_C**

# BP12/1D

Mono-emission



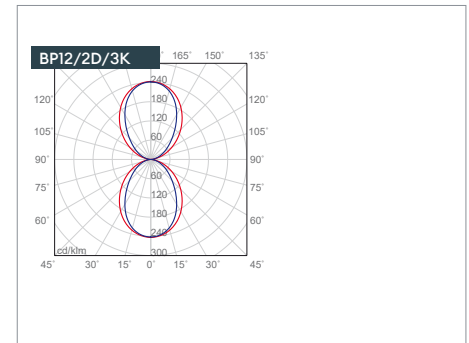
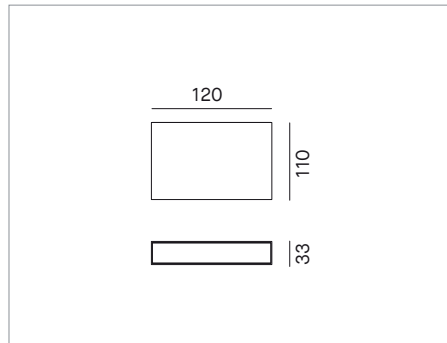
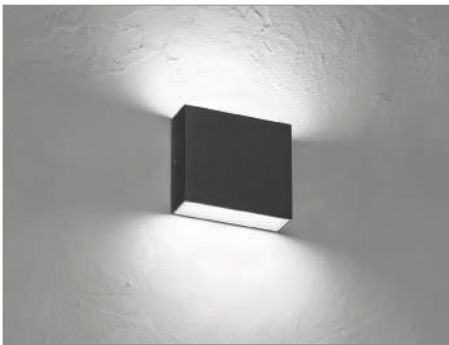
Outdoor LED luminaire for wall installation. Mono-emission. LED SMD. Lifetime 50.000 hours (L70B50). Die-cast aluminium body, finished in anthracite, grey, white, or dark brown. Integrated driver. Opal glass diffuser.



Code	Colour	Real Lm	System/W	CCT	Beam
BP12/1D/3K/A	Anthracite	690	7	3000K	80°
BP12/1D/4K/A	Anthracite	750	7	4000K	80°
BP12/1D/3K/G	Grey	690	7	3000K	80°
BP12/1D/4K/G	Grey	750	7	4000K	80°
BP12/1D/3K/W	White	690	7	3000K	80°
BP12/1D/4K/W	White	750	7	4000K	80°
BP12/1D/3K/BR	Dark brown	690	7	3000K	80°
BP12/1D/4K/BR	Dark brown	750	7	4000K	80°

# BP12/2D

Bi-emission



Outdoor LED luminaire for wall installation. Bi-emission. LED SMD. Lifetime 50.000 hours (L70B50). Die-cast aluminium body, finished in anthracite, grey, white, or dark brown. Integrated driver. Opal glass diffuser.

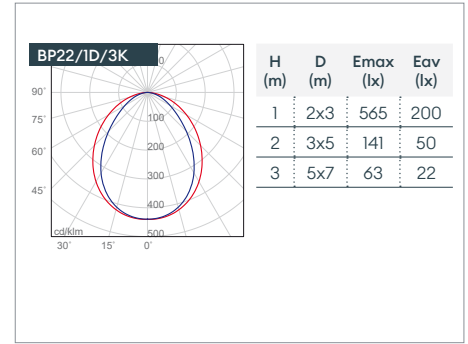
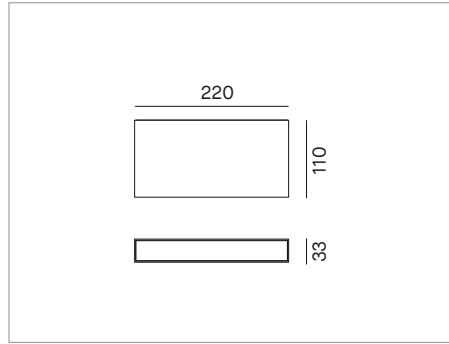


Code	Colour	Real Lm	System/W	CCT	Beam
BP12/2D/3K/A	Anthracite	2x690	2x7	3000K	80°
BP12/2D/4K/A	Anthracite	2x750	2x7	4000K	80°
BP12/2D/3K/G	Grey	2x690	2x7	3000K	80°
BP12/2D/4K/G	Grey	2x750	2x7	4000K	80°
BP12/2D/3K/W	White	2x690	2x7	3000K	80°
BP12/2D/4K/W	White	2x750	2x7	4000K	80°
BP12/2D/3K/BR	Dark brown	2x690	2x7	3000K	80°
BP12/2D/4K/BR	Dark brown	2x750	2x7	4000K	80°



# BP22/1D

Mono-emission



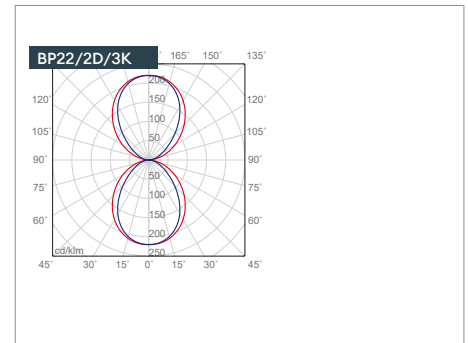
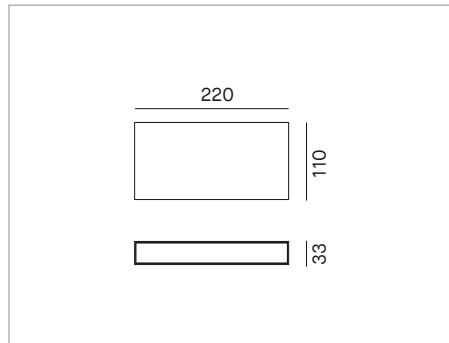
Outdoor LED luminaire for wall installation. Mono-emission. LED SMD. Lifetime 50.000 hours (L70B50). Die-cast aluminium body, finished in anthracite, grey, white, or dark brown. Integrated driver. Opal glass diffuser. IP68 waterproof connector included.



Code	Colour	Real Lm	System/W	CCT	Beam
BP22/1D/3K/A	Anthracite	1285	14	3000K	80x100°
BP22/1D/4K/A	Anthracite	1395	14	4000K	80x100°
BP22/1D/3K/G	Grey	1285	14	3000K	80x100°
BP22/1D/4K/G	Grey	1395	14	4000K	80x100°
BP22/1D/3K/W	White	1285	14	3000K	80x100°
BP22/1D/4K/W	White	1395	14	4000K	80x100°
BP22/1D/3K/BR	Dark brown	1285	14	3000K	80x100°
BP22/1D/4K/BR	Dark brown	1395	14	4000K	80x100°

# BP22/2D

Bi-emission



Outdoor LED luminaire for wall installation. Bi-emission. LED SMD. Lifetime 50.000 hours (L70B50). Die-cast aluminium body, finished in anthracite, grey, white, or dark brown. Integrated driver. Opal glass diffuser. IP68 waterproof connector included.

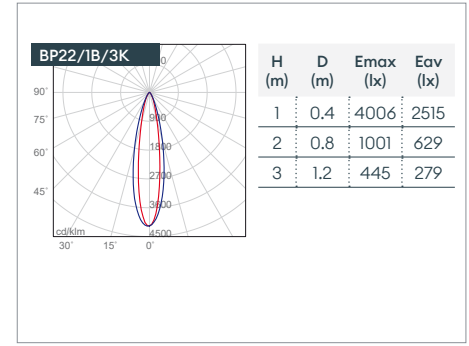
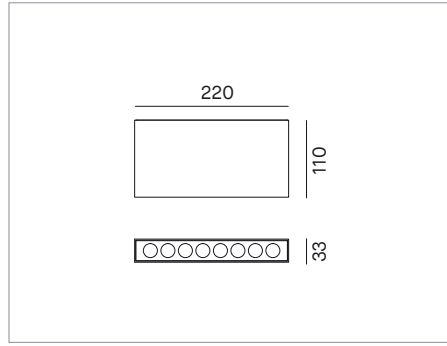


Code	Colour	Real Lm	System/W	CCT	Beam
BP22/2D/3K/A	Anthracite	2x1285	2x14	3000K	80x100°
BP22/2D/4K/A	Anthracite	2x1395	2x14	4000K	80x100°
BP22/2D/3K/G	Grey	2x1285	2x14	3000K	80x100°
BP22/2D/4K/G	Grey	2x1395	2x14	4000K	80x100°
BP22/2D/3K/W	White	2x1285	2x14	3000K	80x100°
BP22/2D/4K/W	White	2x1395	2x14	4000K	80x100°
BP22/2D/3K/BR	Dark brown	2x1285	2x14	3000K	80x100°
BP22/2D/4K/BR	Dark brown	2x1395	2x14	4000K	80x100°



# BP22/1B

Mono-emission



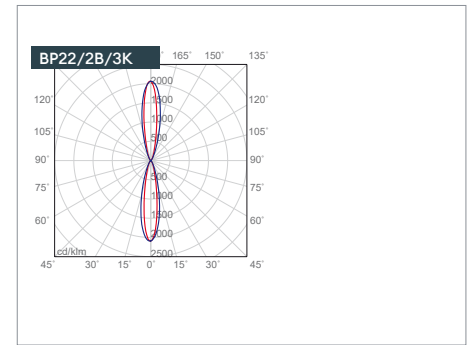
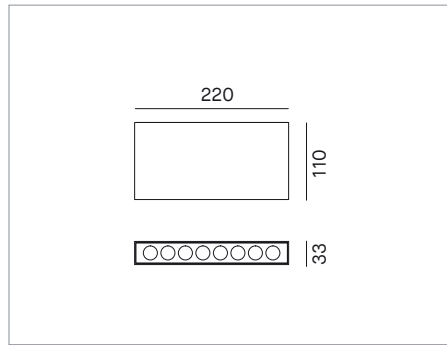
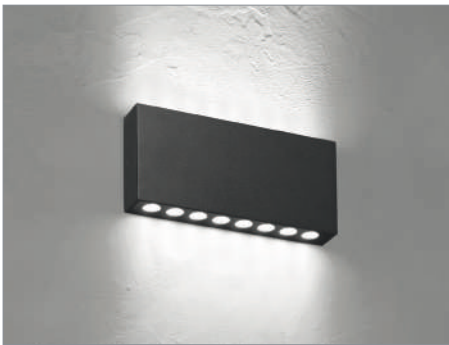
Outdoor LED luminaire for wall installation. Mono-emission. LED SMD. Lifetime 50.000 hours (L70B50). Die-cast aluminium body, finished in anthracite, grey, white, or dark brown. Integrated driver. Black screen-printed glass diffuser. PMMA lens. IP68 waterproof connector included.



Code	Colour	Real Lm	System/W	CCT	Beam
BP22/1B/3K/A	Anthracite	960	14	3000K	20x30°
BP22/1B/4K/A	Anthracite	1025	14	4000K	20x30°
BP22/1B/3K/G	Grey	960	14	3000K	20x30°
BP22/1B/4K/G	Grey	1025	14	4000K	20x30°
BP22/1B/3K/W	White	960	14	3000K	20x30°
BP22/1B/4K/W	White	1025	14	4000K	20x30°
BP22/1B/3K/BR	Dark brown	960	14	3000K	20x30°
BP22/1B/4K/BR	Dark brown	1025	14	4000K	20x30°

# BP22/2B

Bi-emission



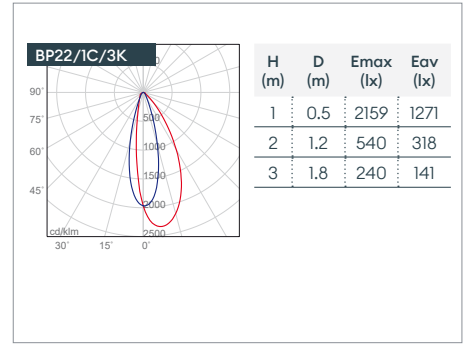
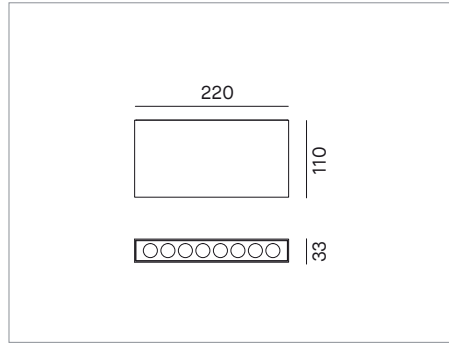
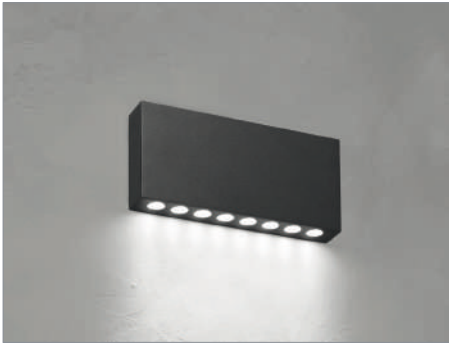
Outdoor LED luminaire for wall installation. Bi-emission. LED SMD. Lifetime 50.000 hours (L70B50). Die-cast aluminium body, finished in anthracite, grey, white, or dark brown. Integrated driver. Black screen-printed glass diffuser. PMMA lens. IP68 waterproof connector included.



Code	Colour	Real Lm	System/W	CCT	Beam
BP22/2B/3K/A	Anthracite	2x960	2x14	3000K	20x30°
BP22/2B/4K/A	Anthracite	2x1025	2x14	4000K	20x30°
BP22/2B/3K/G	Grey	2x960	2x14	3000K	20x30°
BP22/2B/4K/G	Grey	2x1025	2x14	4000K	20x30°
BP22/2B/3K/W	White	2x960	2x14	3000K	20x30°
BP22/2B/4K/W	White	2x1025	2x14	4000K	20x30°
BP22/2B/3K/BR	Dark brown	2x960	2x14	3000K	20x30°
BP22/2B/4K/BR	Dark brown	2x1025	2x14	4000K	20x30°

# BP22/1C

Mono-emission



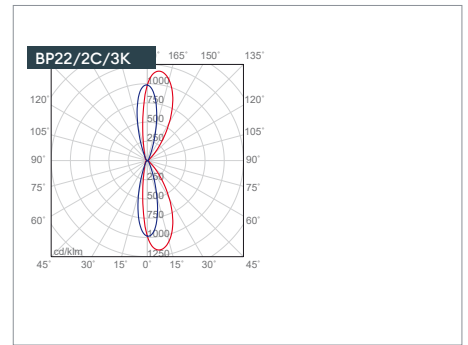
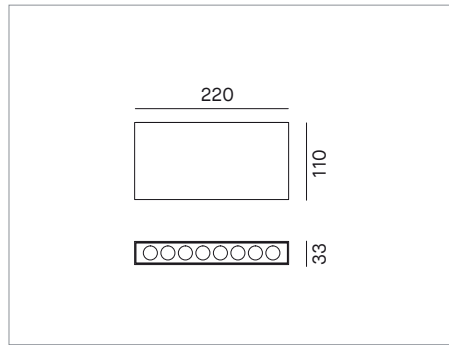
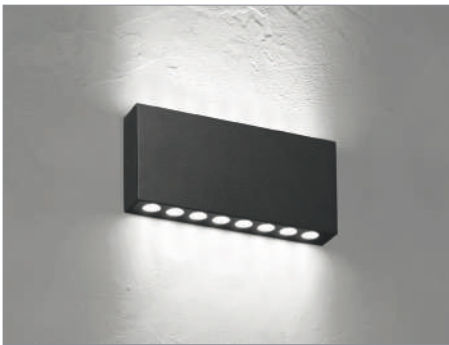
Outdoor LED luminaire for wall installation. Mono-emission. LED SMD. Lifetime 50.000 hours (L70B50). Die-cast aluminium body, finished in anthracite, grey, white, or dark brown. Integrated driver. Black screen-printed glass diffuser. PMMA lens. IP68 waterproof connector included.



Code	Colour	Real Lm	System/W	CCT	Beam
BP22/1C/3K/A	Anthracite	940	14	3000K	Asymmetric
BP22/1C/4K/A	Anthracite	1000	14	4000K	Asymmetric
BP22/1C/3K/G	Grey	940	14	3000K	Asymmetric
BP22/1C/4K/G	Grey	1000	14	4000K	Asymmetric
BP22/1C/3K/W	White	940	14	3000K	Asymmetric
BP22/1C/4K/W	White	1000	14	4000K	Asymmetric
BP22/1C/3K/BR	Dark brown	940	14	3000K	Asymmetric
BP22/1C/4K/BR	Dark brown	1000	14	4000K	Asymmetric

# BP22/2C

Bi-emission



Outdoor LED luminaire for wall installation. Bi-emission. LED SMD. Lifetime 50.000 hours (L70B50). Die-cast aluminium body, finished in anthracite, grey, white, or dark brown. Integrated driver. Black screen-printed glass diffuser. PMMA lens. IP68 waterproof connector included.



Code	Colour	Real Lm	System/W	CCT	Beam
BP22/2C/3K/A	Anthracite	2x940	2x14	3000K	Asymmetric
BP22/2C/4K/A	Anthracite	2x1000	2x14	4000K	Asymmetric
BP22/2C/3K/G	Grey	2x940	2x14	3000K	Asymmetric
BP22/2C/4K/G	Grey	2x1000	2x14	4000K	Asymmetric
BP22/2C/3K/W	White	2x940	2x14	3000K	Asymmetric
BP22/2C/3K/BR	Dark brown	2x940	2x14	3000K	Asymmetric
BP22/2C/4K/BR	Dark brown	2x1000	2x14	4000K	Asymmetric

# BRIK

Modular wall light with a classic design,  
always contemporary.

Available in three sizes, two light emissions  
(single and double), and four finishes,  
ensuring maximum versatility. Its soft,  
diffused beam creates the ideal lighting  
effect to enhance the space.





**BA10**  
p.36



**L. 10cm**  
**2 EMISSIONS:**  
mono and bi-emission  
**Clear glass with microprismatic diffuser**

**BA20**  
p.37



**L. 20cm**  
**2 EMISSIONS:**  
mono and bi-emission  
**Clear glass with microprismatic diffuser**

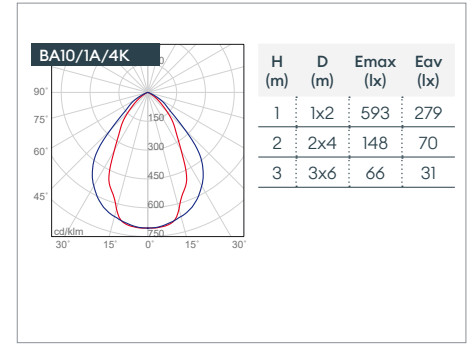
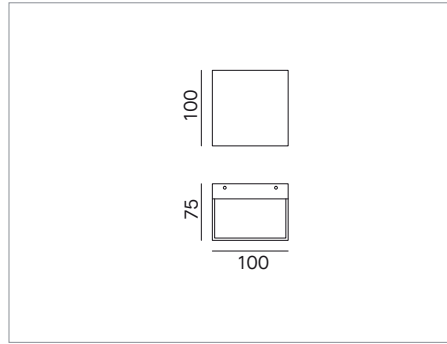
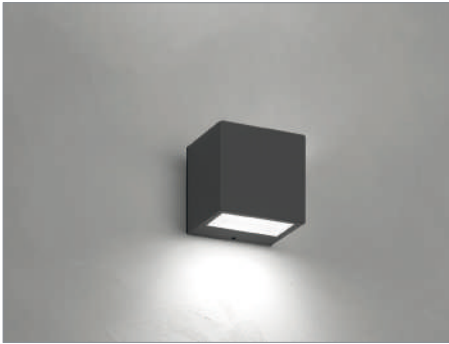
**BA30**  
p.38



**L. 30cm**  
**2 EMISSIONS:**  
mono and bi-emission  
**Clear glass with microprismatic diffuser**

# BA10/1A

Mono-emission



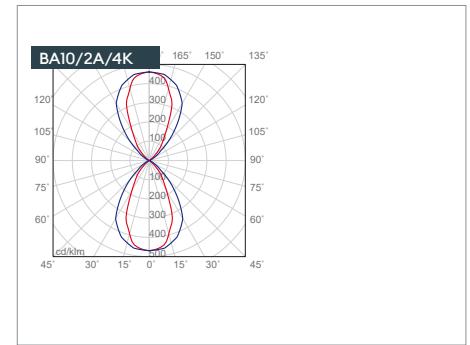
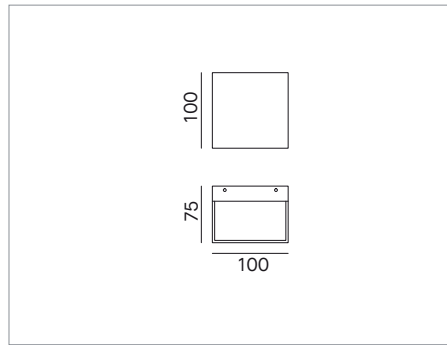
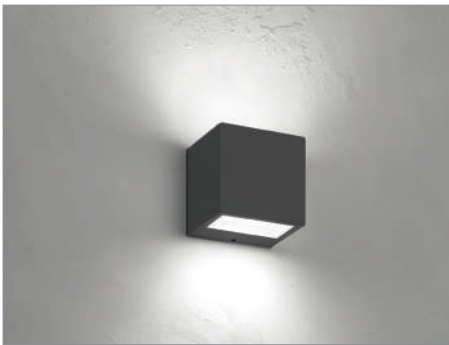
LED luminaire for wall-mounted installation, mono-emission. SMD LED. Lifetime 36,000 hours (L70B50). Low-copper die-cast aluminum body, powder-coated in anthracite, grey, white, or dark brown. Pre-wired wall-mounting base with quick-connect terminals. Clear glass with microprismatic diffuser. Silicone gaskets. Stainless steel screws. Dimmable LED board, mains voltage 220B240V.



Code	Colour	Real Lm	System/W	CCT	Beam
BA10/1A/3K/A	Anthracite	770	9	3000K	80x60°
BA10/1A/4K/A	Anthracite	840	9	4000K	80x60°
BA10/1A/3K/G	Grey	770	9	3000K	80x60°
BA10/1A/4K/G	Grey	840	9	4000K	80x60°
BA10/1A/3K/W	White	770	9	3000K	80x60°
BA10/1A/4K/W	White	840	9	4000K	80x60°
BA10/1A/3K/BR	Dark brown	770	9	3000K	80x60°
BA10/1A/4K/BR	Dark brown	840	9	4000K	80x60°

# BA10/2A

Bi-emission



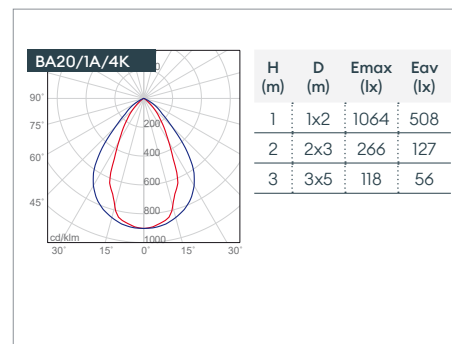
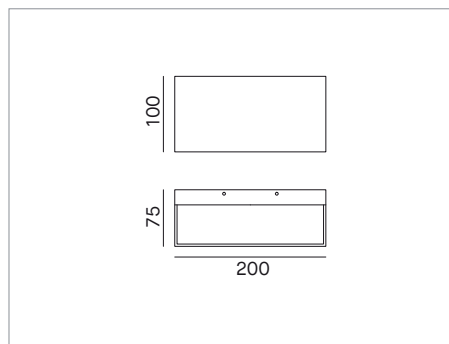
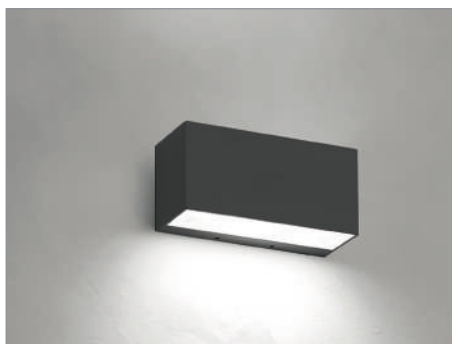
LED luminaire for wall-mounted installation, bi-emission. SMD LED. Lifetime 36,000 hours (L70B50). Low-copper die-cast aluminum body, powder-coated in anthracite, grey, white, or dark brown. Pre-wired wall-mounting base with quick-connect terminals. Clear glass with microprismatic diffuser. Silicone gaskets. Stainless steel screws. Dimmable LED board, mains voltage 220B240V.



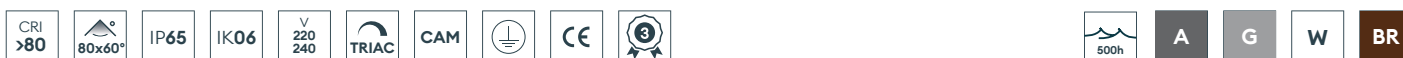
Code	Colour	Real Lm	System/W	CCT	Beam
BA10/2A/3K/A	Anthracite	2x770	2x9	3000K	80x60°
BA10/2A/4K/A	Anthracite	2x840	2x9	4000K	80x60°
BA10/2A/3K/G	Grey	2x770	2x9	3000K	80x60°
BA10/2A/4K/G	Grey	2x840	2x9	4000K	80x60°
BA10/2A/3K/W	White	2x770	2x9	3000K	80x60°
BA10/2A/4K/W	White	2x840	2x9	4000K	80x60°
BA10/2A/3K/BR	Dark brown	2x770	2x9	3000K	80x60°
BA10/2A/4K/BR	Dark brown	2x840	2x9	4000K	80x60°

# BA20/1A

Mono-emission



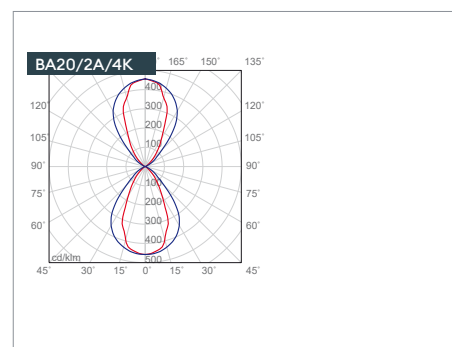
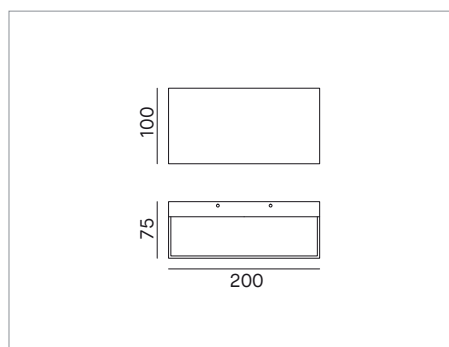
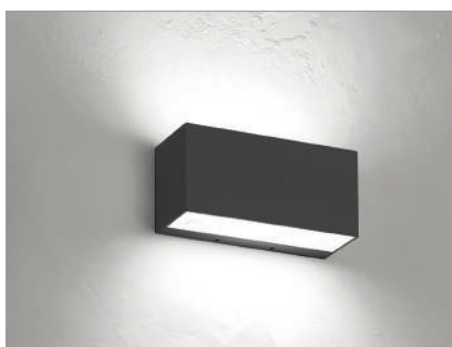
LED luminaire for wall-mounted installation, mono-emission. SMD LED. Lifetime 36,000 hours (L70B50). Low-copper die-cast aluminum body, powder-coated in anthracite, grey, white, or dark brown. Pre-wired wall-mounting base with quick-connect terminals. Clear glass with microprismatic diffuser. Silicone gaskets. Stainless steel screws. Dimmable LED board, mains voltage 220/240V.



Code	Colour	Real Lm	System/W	CCT	Beam
BA20/1A/3K/A	Anthracite	1075	15	3000K	80x60°
BA20/1A/4K/A	Anthracite	1180	15	4000K	80x60°
BA20/1A/3K/G	Grey	1075	15	3000K	80x60°
BA20/1A/4K/G	Grey	1180	15	4000K	80x60°
BA20/1A/3K/W	White	1075	15	3000K	80x60°
BA20/1A/4K/W	White	1180	15	4000K	80x60°
BA20/1A/3K/BR	Dark brown	1075	15	3000K	80x60°
BA20/1A/4K/BR	Dark brown	1180	15	4000K	80x60°

# BA20/2A

Bi-emission



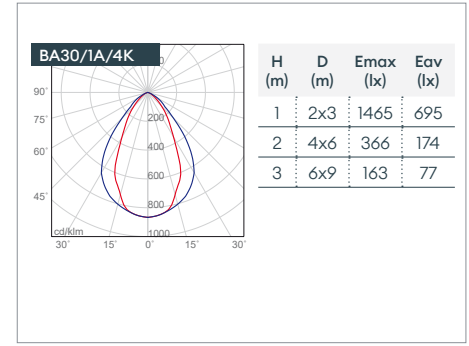
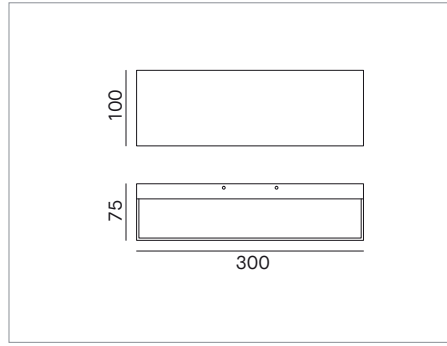
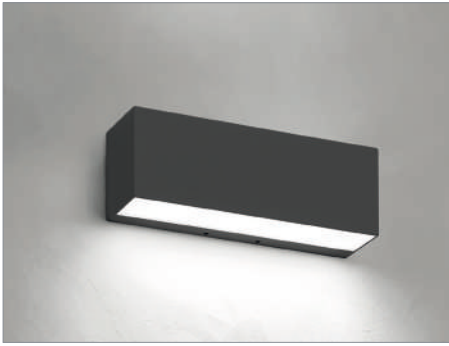
LED luminaire for wall-mounted installation, bi-emission. SMD LED. Lifetime 36,000 hours (L70B50). Low-copper die-cast aluminum body, powder-coated in anthracite, grey, white, or dark brown. Pre-wired wall-mounting base with quick-connect terminals. Clear glass with microprismatic diffuser. Silicone gaskets. Stainless steel screws. Dimmable LED board, mains voltage 220/240V.



Code	Colour	Real Lm	System/W	CCT	Beam
BA20/2A/3K/A	Anthracite	2x1075	2x15	3000K	80x60°
BA20/2A/4K/A	Anthracite	2x1180	2x15	4000K	80x60°
BA20/2A/3K/G	Grey	2x1075	2x15	3000K	80x60°
BA20/2A/4K/G	Grey	2x1180	2x15	4000K	80x60°
BA20/2A/3K/W	White	2x1075	2x15	3000K	80x60°
BA20/2A/4K/W	White	2x1180	2x15	4000K	80x60°
BA20/2A/3K/BR	Dark brown	2x1075	2x15	3000K	80x60°
BA20/2A/4K/BR	Dark brown	2x1180	2x15	4000K	80x60°

# BA30/1A

Mono-emission



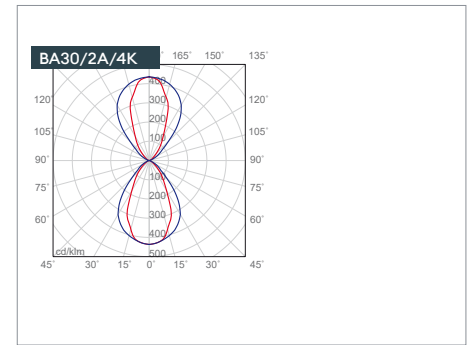
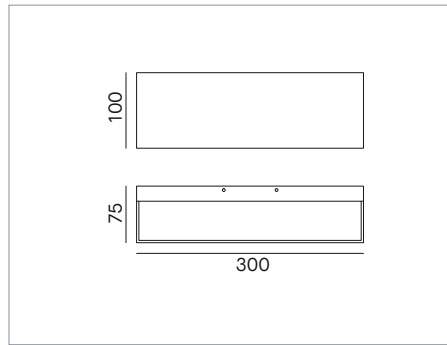
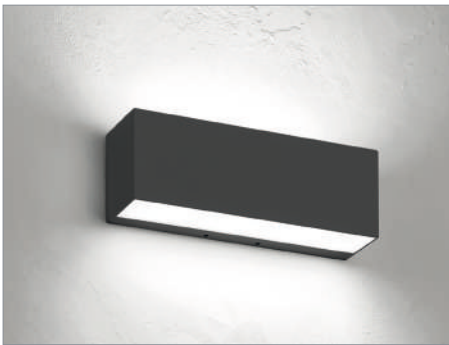
LED luminaire for wall-mounted installation, mono-emission. SMD LED. Lifetime 36,000 hours (L70B50). Low-copper die-cast aluminum body, powder-coated in anthracite, grey, white, or dark brown. Pre-wired wall-mounting base with quick-connect terminals. Clear glass with microprismatic diffuser. Silicone gaskets. Stainless steel screws. Dimmable LED board, mains voltage 220B240V.



Code	Colour	Real Lm	System/W	CCT	Beam
BA30/1A/3K/A	Anthracite	1580	25	3000K	80x60°
BA30/1A/4K/A	Anthracite	1690	25	4000K	80x60°
BA30/1A/3K/G	Grey	1580	25	3000K	80x60°
BA30/1A/4K/G	Grey	1690	25	4000K	80x60°
BA30/1A/3K/W	White	1580	25	3000K	80x60°
BA30/1A/4K/W	White	1690	25	4000K	80x60°
BA30/1A/3K/BR	Dark brown	1580	25	3000K	80x60°
BA30/1A/4K/BR	Dark brown	1690	25	4000K	80x60°

# BA30/2A

Bi-emission



LED luminaire for wall-mounted installation, bi-emission. SMD LED. Lifetime 36,000 hours (L70B50). Low-copper die-cast aluminum body, powder-coated in anthracite, grey, white, or dark brown. Pre-wired wall-mounting base with quick-connect terminals. Clear glass with microprismatic diffuser. Silicone gaskets. Stainless steel screws. Dimmable LED board, mains voltage 220B240V.



Code	Colour	Real Lm	System/W	CCT	Beam
BA30/2A/3K/A	Anthracite	2x1580	2x25	3000K	80x60°
BA30/2A/4K/A	Anthracite	2x1690	2x25	4000K	80x60°
BA30/2A/3K/G	Grey	2x1580	2x25	3000K	80x60°
BA30/2A/4K/G	Grey	2x1690	2x25	4000K	80x60°
BA30/2A/3K/W	White	2x1580	2x25	3000K	80x60°
BA30/2A/4K/W	White	2x1690	2x25	4000K	80x60°
BA30/2A/3K/BR	Dark brown	2x1580	2x25	3000K	80x60°
BA30/2A/4K/BR	Dark brown	2x1690	2x25	4000K	80x60°



# SPOTTY

A versatile and elegant family, comprising three spotlights for ceiling and wall installation, and two bollards with single or double spotlights, designed to illuminate pathways or specific features.

PT05/1A  
p.42



Wall light  
**MONO-EMISSION**  
fixed

PT05/2A  
p.42



Wall light  
**BI-EMISSION**  
fixed

PT05/M  
p.43



Wall light  
**MONO-EMISSION**  
adjustable



**PT090/01**  
p.116

**PT090/02**  
p.117

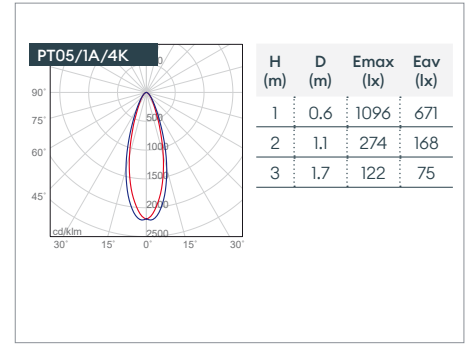
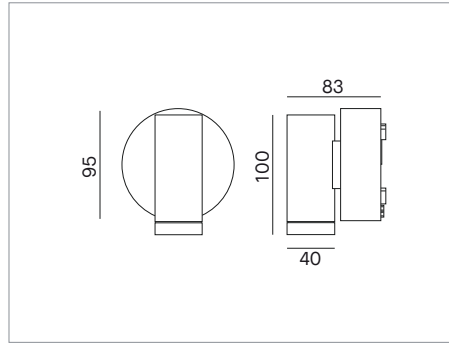


**MODULARITY**

Three 30 cm sections included in the package, allowing three height options: 30cm, 60cm, or 90cm.

# PT05/1A

Mono-emission



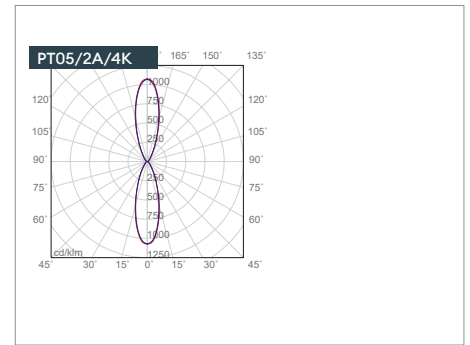
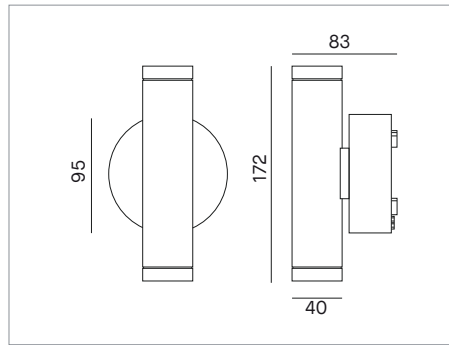
LED wall-mounted luminaire with single light emission. COB LED. Lifetime 50,000 hours (L70B20). Die-cast aluminum body, powder-coated in anthracite, grey, white, or dark brown. Clear glass diffuser. Equipped with wall-mounting base with feed-through wiring. Beam angle: 30°. Driver included.



Code	Colour	Real Lm	System/W	CCT	Beam
PT05/1A/3K/A	Anthracite	400	5	3000K	30°
PT05/1A/4K/A	Anthracite	500	5	4000K	30°
PT05/1A/3K/G	Grey	400	5	3000K	30°
PT05/1A/4K/G	Grey	500	5	4000K	30°
PT05/1A/3K/W	White	400	5	3000K	30°
PT05/1A/4K/W	White	500	5	4000K	30°
PT05/1A/3K/BR	Dark brown	400	5	3000K	30°
PT05/1A/4K/BR	Dark brown	500	5	4000K	30°

# PT05/2A

Bi-emission



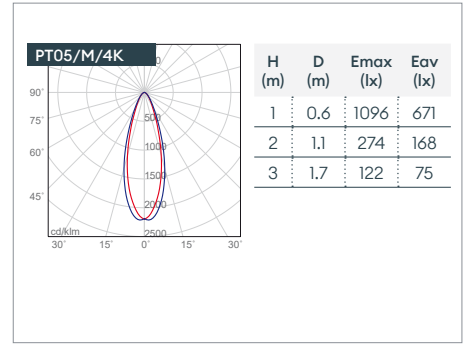
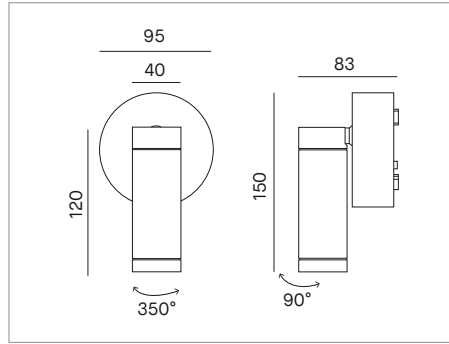
LED wall-mounted luminaire with double light emission. COB LED. Lifetime 50,000 hours (L70B20). Die-cast aluminum body, powder-coated in anthracite, grey, white, or dark brown. Clear glass diffuser. Equipped with wall-mounting base with feed-through wiring. Beam angle: 30°. Driver included.



Code	Colour	Real Lm	System/W	CCT	Beam
PT05/2A/3K/A	Anthracite	2x400	2x5	3000K	30°
PT05/2A/4K/A	Anthracite	2x500	2x5	4000K	30°
PT05/2A/3K/G	Grey	2x400	2x5	3000K	30°
PT05/2A/4K/G	Grey	2x500	2x5	4000K	30°
PT05/2A/3K/W	White	2x400	2x5	3000K	30°
PT05/2A/4K/W	White	2x500	2x5	4000K	30°
PT05/2A/3K/BR	Dark brown	2x400	2x5	3000K	30°
PT05/2A/4K/BR	Dark brown	2x500	2x5	4000K	30°

# PT05/M

Mono-emission adjustable



LED wall-mounted luminaire with adjustable spotlight. COB LED. Rated lifetime 50,000 hours (L70B20). Die-cast aluminum body, powder-coated in anthracite, grey, white, or dark brown. Clear glass diffuser. Equipped with wall-mounting base with feed-through wiring. Beam angle: 30°. Driver included.



Code	Colour	Real Lm	System/W	CCT	Beam
PT05/M/3K/A	Anthracite	400	5	3000K	30°
PT05/M/4K/A	Anthracite	500	5	4000K	30°
PT05/M/3K/G	Grey	400	5	3000K	30°
PT05/M/4K/G	Grey	500	5	4000K	30°
PT05/M/3K/W	White	400	5	3000K	30°
PT05/M/4K/W	White	500	5	4000K	30°
PT05/M/3K/BR	Dark brown	400	5	3000K	30°
PT05/M/4K/BR	Dark brown	500	5	4000K	30°

Bollard p.116-117



# PROJECTORS

---

FOCUS EVO **NEW** 46

---

RAY PRO 52

---





# FOCUS EVO

Elegant and versatile family, designed to meet different application needs. A single cylindrical element that can be installed on the wall, in single- and double-emission versions, on the ceiling, or as a projector, available in three different sizes. Offered with an integrated LED module or in a GU10 version.



**CEILING**  
**FE6**  
p.18



**WALL LIGHT**  
**FE4**  
p.16



**WALL LIGHT**  
**FE5**  
p.17





**PROJECTOR  
FE1**  
p.48



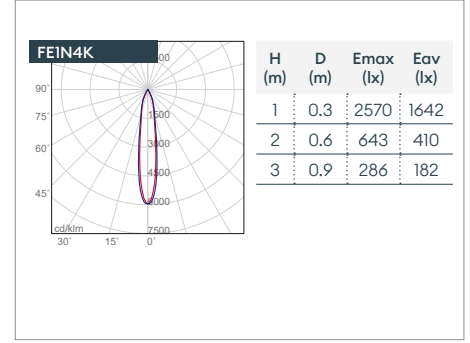
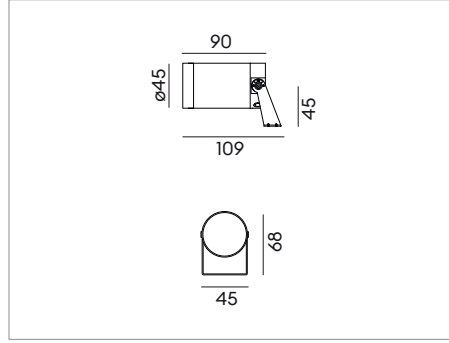
**PROJECTOR  
FE2**  
p.49



**PROJECTOR  
FE3**  
p.50



# FE1



24VDC outdoor LED projector with surface-mounting bracket. COB LED source. Lifetime 50,000 hours (L70B50). CNC-machined aluminum body, powder-coated in anthracite, white, or dark brown. Clear tempered glass. Polished aluminum reflector. 1m neoprene cable H05RN-F 2x1 mm<sup>2</sup>. 24VDC driver not included. **PICCHETTO/61082** Spike not included, to be ordered separately.



Code	Colour	Real Lm	System/W	CCT	Beam
FE1N3KA	Anthracite	430	4	3000K	17°
FE1N4KA	Anthracite	430	4	4000K	17°
FE1N3KW	White	430	4	3000K	17°
FE1N4KW	White	430	4	4000K	17°
FE1N3KBR	Dark brown	430	4	3000K	17°
FE1N4KBR	Dark brown	430	4	4000K	17°
FE1M3KA	Anthracite	430	4	3000K	35°
FE1M4KA	Anthracite	430	4	4000K	35°
FE1M3KW	White	430	4	3000K	35°
FE1M4KW	White	430	4	4000K	35°
FE1M3KBR	Dark brown	430	4	3000K	35°
FE1M4KBR	Dark brown	430	4	4000K	35°
FE1F3KA	Anthracite	430	4	3000K	48°
FE1F4KA	Anthracite	430	4	4000K	48°
FE1F3KW	White	430	4	3000K	48°
FE1F4KW	White	430	4	4000K	48°
FE1F3KBR	Dark brown	430	4	3000K	48°
FE1F4KBR	Dark brown	430	4	4000K	48°

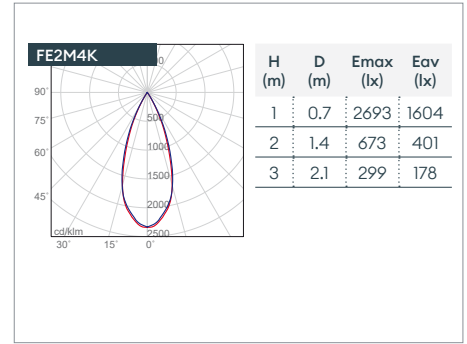
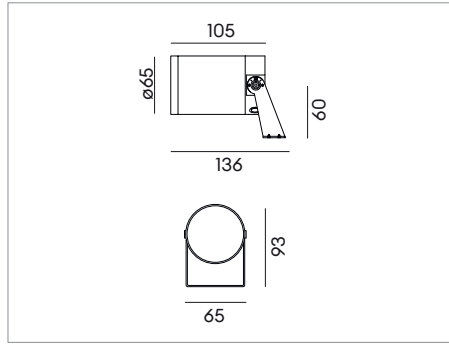
24VDC drivers available, to be ordered separately.

Code	W	IP	max luminaires
5788	25	IP67	5
5759	40	IP67	8
5782	60	IP67	13
5674	70	IP20	15
5783	75	IP67	16
5784	100	IP67	22
5672	150	IP67	33
5671	150	IP20	33

Accessories to be ordered separately

Code	Description
<b>PICCHETTO/61082</b>	Picchetto 160mm per installazione nel terreno

# FE2



Outdoor LED projector with bracket for surface or Ø60mm pole installation. COB LED. Lifetime 50,000 hours (L70B50). CNC-machined aluminum body, powder-coated in anthracite, white, or dark brown. Clear tempered glass. Polished aluminum reflector. 1m neoprene cable, H05RN-F 3x1 mm<sup>2</sup>. TRIAC-dimmable driver included. **Accessories for Ø60mm pole, surface, or spike mounting available separately. See p. 61.**

CRI >80
17°
40°
50°
IP65
V 220 240
TRIAC
CAM
CE
5
500h
A
W
BR

Code	Colour	Real Lm	System/W	CCT	Beam
FE2N3KA	Anthracite	1000	10	3000K	17°
FE2N4KA	Anthracite	1000	10	4000K	17°
FE2N3KW	White	1000	10	3000K	17°
FE2N4KW	White	1000	10	4000K	17°
FE2N3KBR	Dark brown	1000	10	3000K	17°
FE2N4KBR	Dark brown	1000	10	4000K	17°
FE2M3KA	Anthracite	1150	10	3000K	40°
FE2M4KA	Anthracite	1150	10	4000K	40°
FE2M3KW	White	1150	10	3000K	40°
FE2M4KW	White	1150	10	4000K	40°
FE2M3KBR	Dark brown	1150	10	3000K	40°
FE2M4KBR	Dark brown	1150	10	4000K	40°
FE2F3KA	Anthracite	1160	10	3000K	50°
FE2F4KA	Anthracite	1160	10	4000K	50°
FE2F3KW	White	1160	10	3000K	50°
FE2F4KW	White	1160	10	4000K	50°
FE2F3KBR	Dark brown	1160	10	3000K	50°
FE2F4KBR	Dark brown	1160	10	4000K	50°

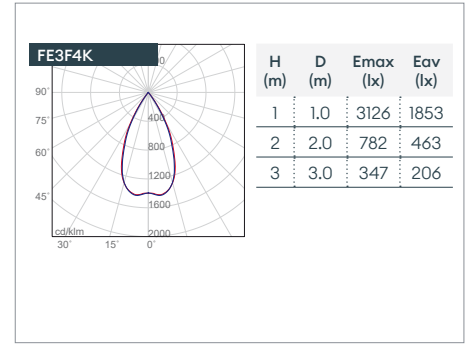
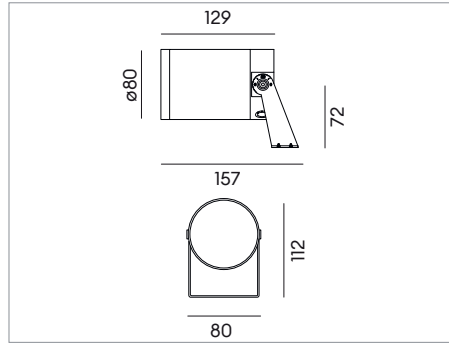
# FE2 - GU10

Outdoor LED projector with bracket for surface or Ø60mm pole installation. GU10 lamp holder included. CNC-machined aluminum body, powder-coated in anthracite, white, or dark brown. Clear tempered glass. 1m neoprene cable, H05RN-F 3x1 mm<sup>2</sup>. GU10 lamp not included. **Accessories for Ø60mm pole, surface, or spike mounting available separately. See p.61.**

IP65
V 220 240
CE
5
500h
A
W
BR

Code	Colour	Lamp holder	W max
FE2GU10A	Anthracite	GU10	8
FE2GU10W	White	GU10	8
FE2GU10BR	Dark brown	GU10	8

# FE3



Outdoor LED projector with surface-mounting bracket. COB LED. Lifetime 50,000 hours (L70B50). CNC-machined aluminum body, powder-coated in anthracite, white, or dark brown. Clear tempered glass. Polished aluminum reflector. 1m neoprene cable, H05RN-F 3x1 mm<sup>2</sup>. TRIAC-dimmable driver included.



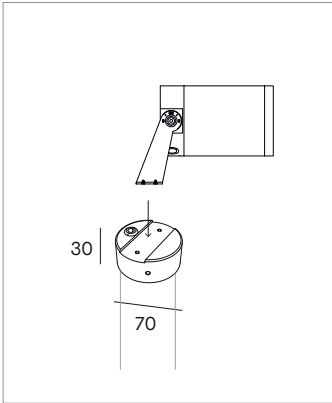
Code	Colour	Real Lm	System/W	CCT	Beam
FE3N3KA	Anthracite	2200	19	3000K	17°
FE3N4KA	Anthracite	2200	19	4000K	17°
FE3N3KW	White	2200	19	3000K	17°
FE3N4KW	White	2200	19	4000K	17°
FE3N3KBR	Dark brown	2200	19	3000K	17°
FE3N4KBR	Dark brown	2200	19	4000K	17°
FE3M3KA	Anthracite	2180	19	3000K	36°
FE3M4KA	Anthracite	2180	19	4000K	36°
FE3M3KW	White	2180	19	3000K	36°
FE3M4KW	White	2180	19	4000K	36°
FE3M3KBR	Dark brown	2180	19	3000K	36°
FE3M4KBR	Dark brown	2180	19	4000K	36°
FE3F3KA	Anthracite	2200	19	3000K	50°
FE3F4KA	Anthracite	2200	19	4000K	50°
FE3F3KW	White	2200	19	3000K	50°
FE3F4KW	White	2200	19	4000K	50°
FE3F3KBR	Dark brown	2200	19	3000K	50°
FE3F4KBR	Dark brown	2200	19	4000K	50°

Accessories to be ordered separately

Code	Description
PICCHETTO/61082	160 mm spike for ground installation

# ACCESSORIES FE2

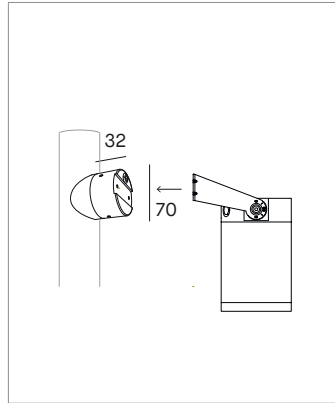
Accessories to be ordered separately



**Code**

<b>POLE/PRO14/A</b>	<b>A</b>
<b>POLE/PRO14/W</b>	<b>W</b>
<b>POLE/PRO14/BR</b>	<b>BR</b>

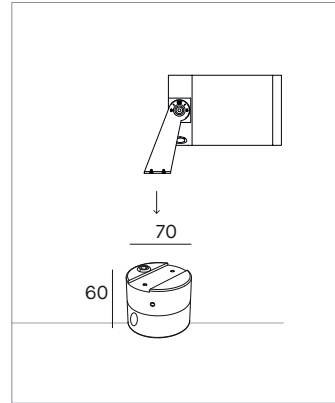
Head for Ø60mm pole mounting.  
Available in anthracite, white, or dark brown.



**Code**

<b>BASE/PRO14/A</b>	<b>A</b>
<b>BASE/PRO14/W</b>	<b>W</b>
<b>BASE/PRO14/BR</b>	<b>BR</b>

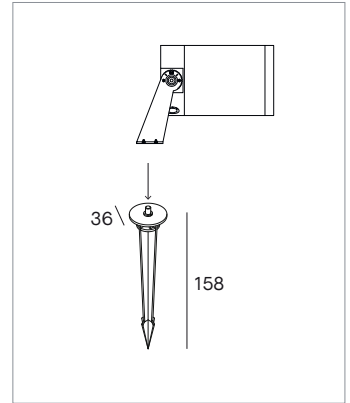
Base for Ø60mm pole mounting.  
Available in anthracite, white, or dark brown.



**Code**

<b>BOX/PRO14/A</b>	<b>A</b>
<b>BOX/PRO14/W</b>	<b>W</b>
<b>BOX/PRO14/BR</b>	<b>BR</b>

Surface-mounting base with pre-drilled feed-through system.  
Available in anthracite, white, or dark brown.



**Code**

<b>PICCHETTO/61082</b>
------------------------

160mm spike for ground installation.  
Also compatible with FE1 and FE3.



# RAY PRO

The mechanical structure and photometric features of the RAY PRO have been designed to meet the project requirements for outdoor applications such as façades, parking areas, and pedestrian walkways. Its installation options—wall-mounted or pole-mounted—make it versatile and easy to install. Available in various sizes, power ratings, beam angles, and finishes.



**PRO14**  
Suitable for residential lighting  
p.54



**PRO32 - PRO32/AS**

**ROTSYMMETRIC VERSION**  
Suitable for illuminating small to  
medium-sized façades  
p.56



**ASYMMETRIC VERSION**  
Suitable for pedestrian pathway lighting  
p.57



**PRO50 - PRO50/AS**

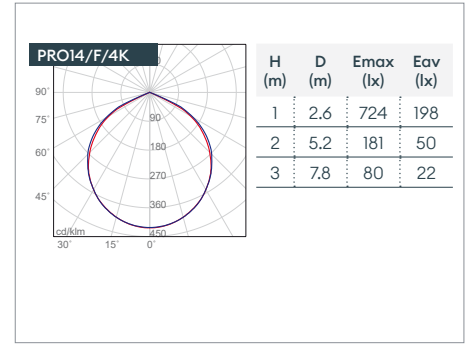
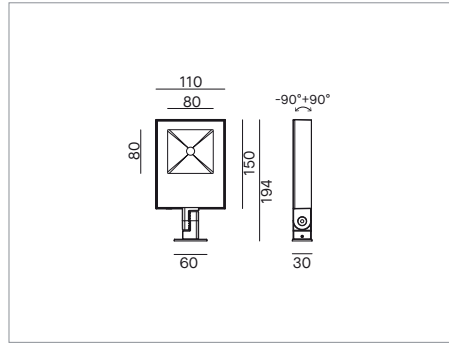
**ROTSYMMETRIC VERSION**  
Suitable for illuminating small to  
medium-sized façades.  
p.58



**ASYMMETRIC VERSION**  
Suitable for parking area lighting  
p.59



# PRO14

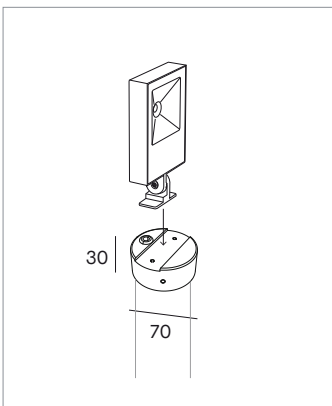


IP67 LED wall-mounted projector. COB LED. Lifetime 50,000 hours (L70B50). Die-cast aluminum body, powder-coated in anthracite, grey, white, or dark brown. Black screen-printed glass diffuser. Aluminum reflector. 1.5m neoprene cable, H05RN-F 3x0.75mm<sup>2</sup>. Integrated driver.



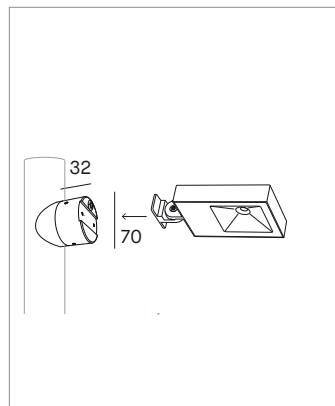
Code	Colour	Real Lm	System/W	CCT	Beam
PRO14/F/3K/A	Anthracite	1610	14	3000K	105°
PRO14/F/4K/A	Anthracite	1715	14	4000K	105°
PRO14/F/3K/G	Grey	1610	14	3000K	105°
PRO14/F/4K/G	Grey	1715	14	4000K	105°
PRO14/F/3K/W	White	1610	14	3000K	105°
PRO14/F/4K/W	White	1715	14	4000K	105°
PRO14/F/3K/BR	Dark brown	1610	14	3000K	105°
PRO14/F/4K/BR	Dark brown	1715	14	4000K	105°

Accessories to be ordered separately.



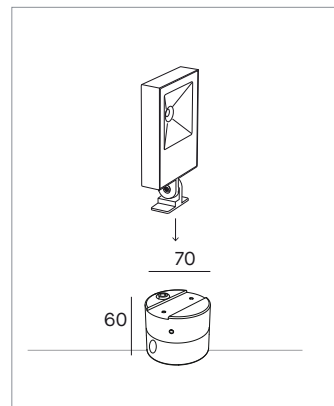
Code	Colour
POLE/PRO14/A	A
POLE/PRO14/W	W
POLE/PRO14/BR	BR

Head for Ø60mm pole mounting. Available in anthracite, white, or dark brown.



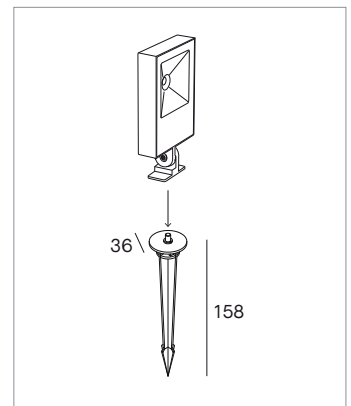
Code	Colour
BASE/PRO14/A	A
BASE/PRO14/W	W
BASE/PRO14/BR	BR

Base for Ø60mm pole mounting. Available in anthracite, white, or dark brown.



Code	Colour
BOX/PRO14/A	A
BOX/PRO14/W	W
BOX/PRO14/BR	BR

Surface-mounting base with pre-drilled feed-through system. Available in anthracite, white, or dark brown.



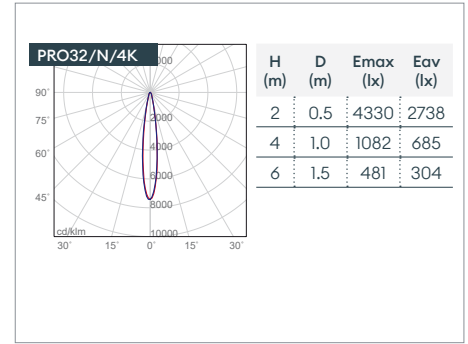
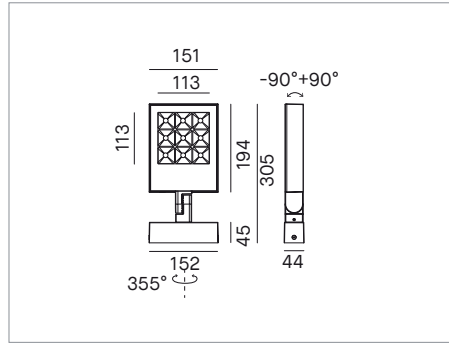
Code
PICCHETTO/61082

160mm spike for ground installation. Also compatible with FE1 and FE3.



# PRO32

Rotosymmetric version



IP67 LED projector for wall or Ø60mm and Ø76mm pole installation (pole not included), using appropriate accessories. SMD LED. Lifetime 50,000 hours (L70B50). Die-cast aluminum body, powder-coated in anthracite, grey, or white. Black screen-printed glass diffuser with polycarbonate lens. 1.5m neoprene cable, H05RN-F 3x0.75 mm<sup>2</sup>. Integrated driver.

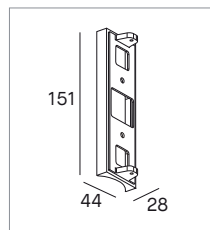
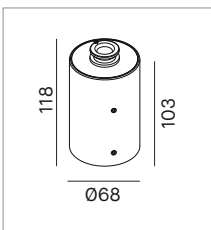


Code	Colour	Real Lm	System/W	CCT	Beam
PRO32/N/3K/A	Anthracite	2140	32	3000K	18°
PRO32/N/4K/A	Anthracite	2300	32	4000K	18°
PRO32/N/3K/G	Grey	2140	32	3000K	18°
PRO32/N/4K/G	Grey	2300	32	4000K	18°
PRO32/N/3K/W	White	2140	32	3000K	18°
PRO32/N/4K/W	White	2300	32	4000K	18°
PRO32/M/3K/A	Anthracite	2430	32	3000K	36°
PRO32/M/4K/A	Anthracite	2620	32	4000K	36°
PRO32/M/3K/G	Grey	2430	32	3000K	36°
PRO32/M/4K/G	Grey	2620	32	4000K	36°
PRO32/M/3K/W	White	2430	32	3000K	36°
PRO32/M/4K/W	White	2620	32	4000K	36°

Accessories to be ordered separately

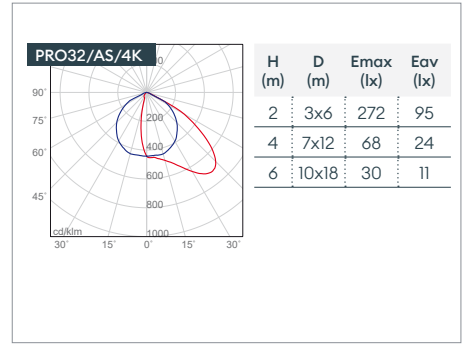
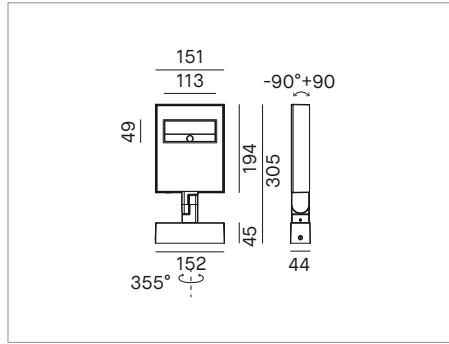
Code	Description
POLE/PRO/A	Head for Ø60mm pole mounting. Available in anthracite, grey or white.
POLE/PRO/G	
POLE/PRO/W	

Code	Description
BASE/PRO/A	Base for Ø60mm pole mounting. Available in anthracite, grey or white.
BASE/PRO/G	
BASE/PRO/W	

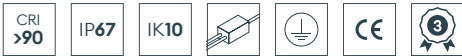


# PRO32/AS

Asymmetric version



IP67 LED projector for wall or pole mounting Ø60mm and Ø76mm (pole not included), using appropriate accessories. COB LED. Lifetime 50,000 hours (L70B50). Housing made of die-cast aluminum painted anthracite, grey, or white. Diffuser in black screen-printed glass. Aluminum reflector. Neoprene cable H05RN-F 3x0.75mm<sup>2</sup>, 1.5m long. Integrated power supply.

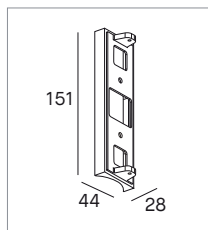
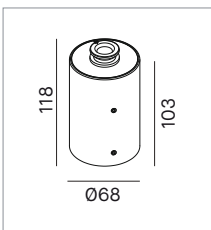


Code	Colour	Real Lm	System/W	CCT	Beam
PRO32/AS/3K/A	Anthracite	2335	32	3000K	Asymmetric
PRO32/AS/4K/A	Anthracite	2400	32	4000K	Asymmetric
PRO32/AS/3K/G	Grey	2335	32	3000K	Asymmetric
PRO32/AS/4K/G	Grey	2400	32	4000K	Asymmetric
PRO32/AS/3K/W	White	2335	32	3000K	Asymmetric
PRO32/AS/4K/W	White	2400	32	4000K	Asymmetric

Accessories to be ordered separately

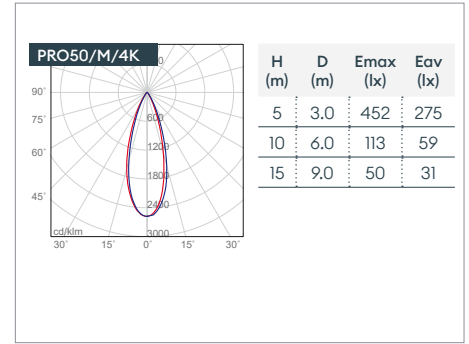
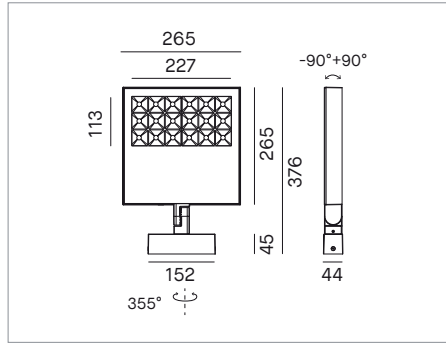
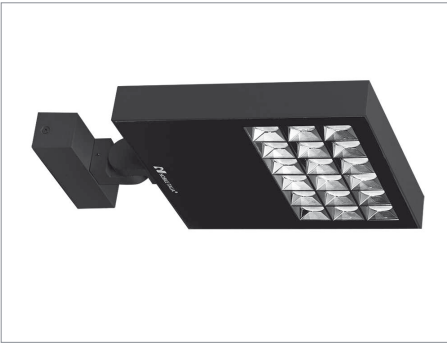
Code	Description
POLE/PRO/A	Head for Ø60mm pole mounting. Available in anthracite, white, or dark brown.
POLE/PRO/G	
POLE/PRO/W	

Code	Description
BASE/PRO/A	Base for Ø60mm pole mounting. Available in anthracite, grey or white.
BASE/PRO/G	
BASE/PRO/W	



# PRO50

## Rotosymmetric version



IP67 LED projector for wall or Ø60mm and Ø76mm pole installation (pole not included), using appropriate accessories. SMD LED. Lifetime 50,000 hours (L70B50). Die-cast aluminum body, powder-coated in anthracite, grey, or white. Black screen-printed glass diffuser with polycarbonate lens. 1.5m neoprene cable, H05RN-F 3x0.75 mm<sup>2</sup>. Integrated driver.

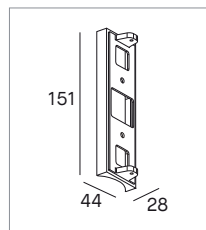
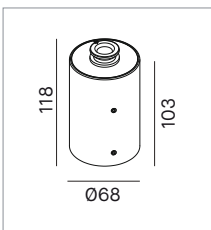


Code	Colour	Real Lm	System/W	CCT	Beam
PRO50/N/3K/A	Anthracite	3600	50	3000K	18°
PRO50/N/4K/A	Anthracite	3800	50	4000K	18°
PRO50/N/3K/G	Grey	3600	50	3000K	18°
PRO50/N/4K/G	Grey	3800	50	4000K	18°
PRO50/N/3K/W	White	3600	50	3000K	18°
PRO50/N/4K/W	White	3800	50	4000K	18°
PRO50/M/3K/A	Anthracite	4100	50	3000K	36°
PRO50/M/4K/A	Anthracite	4400	50	4000K	36°
PRO50/M/3K/G	Grey	4100	50	3000K	36°
PRO50/M/4K/G	Grey	4400	50	4000K	36°
PRO50/M/3K/W	White	4100	50	3000K	36°
PRO50/M/4K/W	White	4400	50	4000K	36°

Accessories to be ordered separately

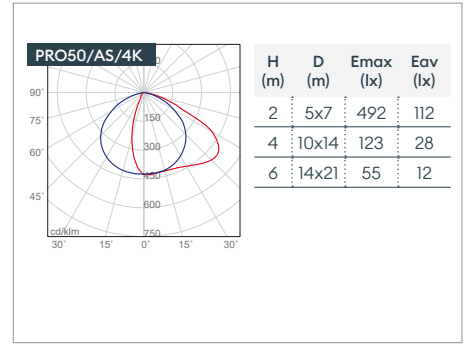
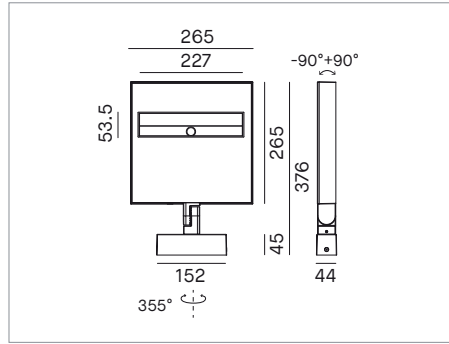
Code	Description
POLE/PRO/A	Head for Ø60mm pole mounting. Available in anthracite, grey or white.
POLE/PRO/G	
POLE/PRO/W	

Code	Description
BASE/PRO/A	Base for Ø60mm pole mounting. Available in anthracite, grey or white.
BASE/PRO/G	
BASE/PRO/W	

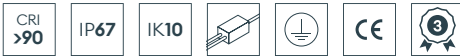


# PRO50/AS

Asymmetric version



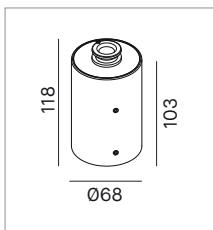
IP67 LED projector for wall or pole mounting Ø60mm and Ø76mm (pole not included), using appropriate accessories. COB LED. Lifetime 50,000 hours (L70B50). Housing made of die-cast aluminum painted anthracite, grey, or white. Diffuser in black screen-printed glass. Aluminum reflector. Neoprene cable H05RN-F 3x0.75mm<sup>2</sup>, 1.5m long. Integrated power supply.



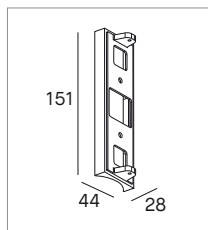
Code	Colour	Real Lm	System/W	CCT	Beam
PRO50/AS/3K/A	Anthracite	4500	50	3000K	Asymmetric
PRO50/AS/4K/A	Anthracite	4600	50	4000K	Asymmetric
PRO50/AS/3K/G	Grey	4500	50	3000K	Asymmetric
PRO50/AS/4K/G	Grey	4600	50	4000K	Asymmetric
PRO50/AS/3K/W	White	4500	50	3000K	Asymmetric
PRO50/AS/4K/W	White	4600	50	4000K	Asymmetric

Accessories to be ordered separately

Code	Description
POLE/PRO/A	Head for Ø60mm pole mounting. Available in anthracite, grey or white.
POLE/PRO/G	
POLE/PRO/W	



Code	Description
BASE/PRO/A	Base for Ø60mm pole mounting. Available in anthracite, grey or white.
BASE/PRO/G	
BASE/PRO/W	



# STEPLIGHT

---

**SLOT PRO** 62

---

**SLOT** 63

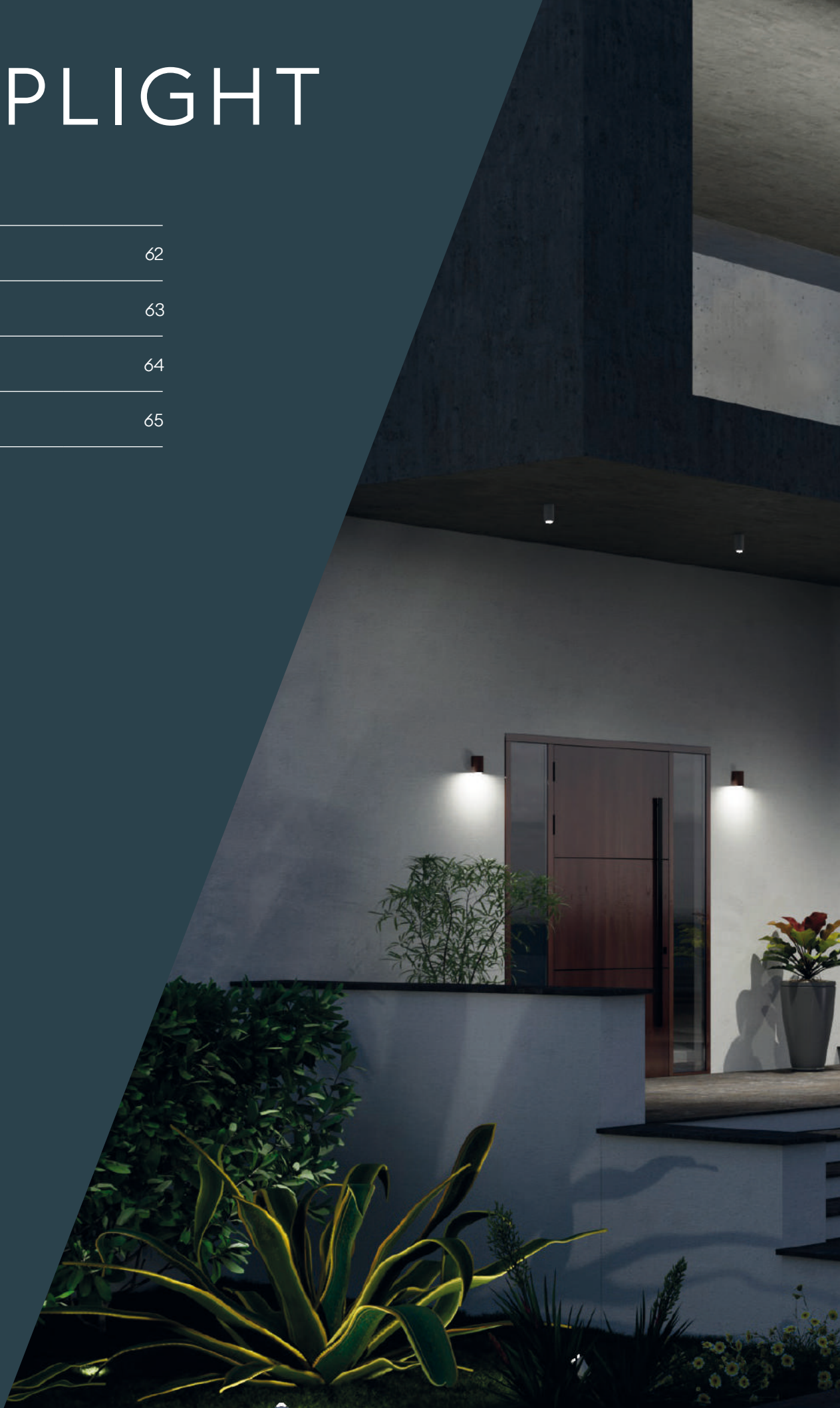
---

**241** 64

---

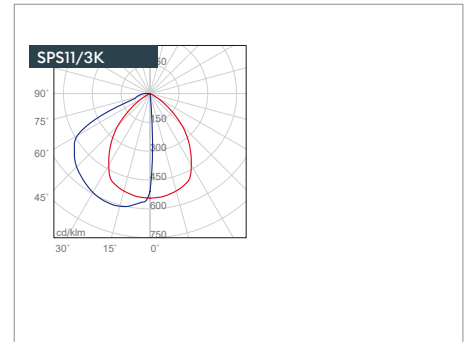
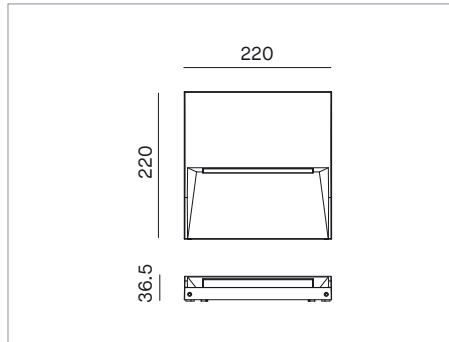
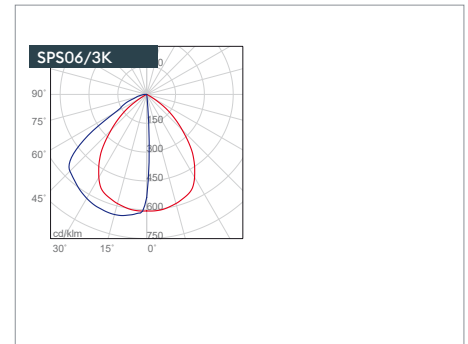
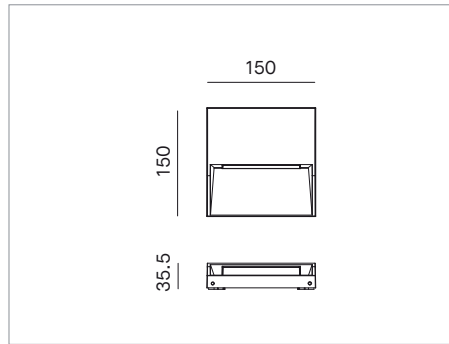
**241/G** 65

---

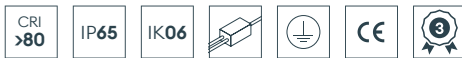




# SLOT PRO



Wall LED luminaire for surface-mounted installation. SMD LED. Lifetime 50,000 hours (L70B50). Housing in die-cast aluminum painted anthracite, grey, or white. PMMA diffuser. Neoprene cable H05RN-F 3x0.75mm<sup>2</sup>, 0.5m long. Complete with 503 junction box mount (junction box not included). Integrated driver.

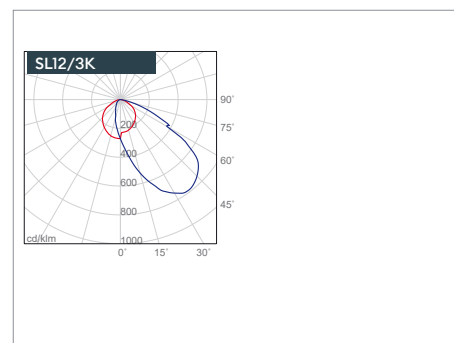
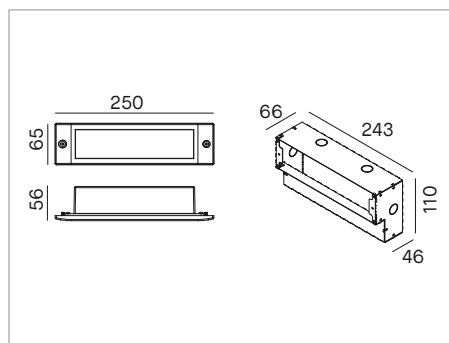
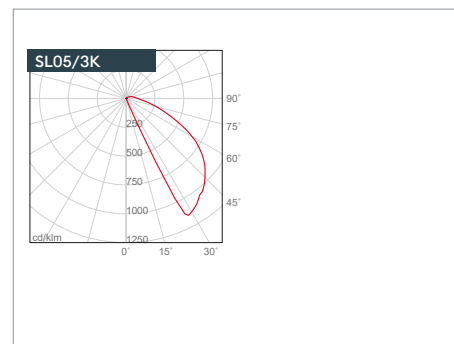
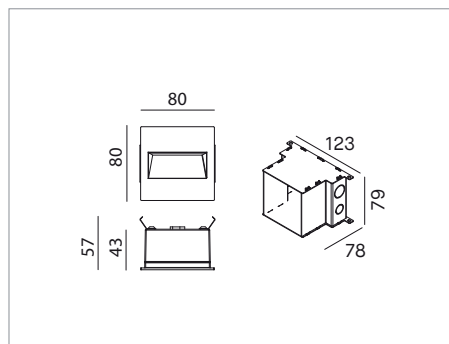


Code	mm	Colour	Real Lm	System/W	CCT
<b>SPS06/3K/A</b>	150x150	Anthracite	390	6	3000K
<b>SPS06/4K/A</b>	150x150	Anthracite	425	6	4000K
<b>SPS06/3K/G</b>	150x150	Grey	390	6	3000K
<b>SPS06/4K/G</b>	150x150	Grey	425	6	4000K
<b>SPS06/3K/W</b>	150x150	White	390	6	3000K
<b>SPS06/4K/W</b>	150x150	White	425	6	4000K
<b>SPS11/3K/A</b>	220x220	Anthracite	1070	11	3000K
<b>SPS11/4K/A</b>	220x220	Anthracite	1170	11	4000K
<b>SPS11/3K/G</b>	220x220	Grey	1070	11	3000K
<b>SPS11/4K/G</b>	220x220	Grey	1170	11	4000K
<b>SPS11/3K/W</b>	220x220	White	1070	11	3000K
<b>SPS11/4K/W</b>	220x220	White	1170	11	4000K

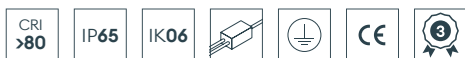
Accessories to be ordered separately

Code	Description
<b>SP/KIT/503</b>	Kit consisting of a mounting plate and 6 screws. (503 junction box not included).

# SLOT

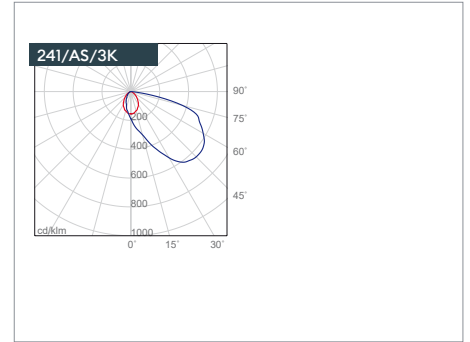
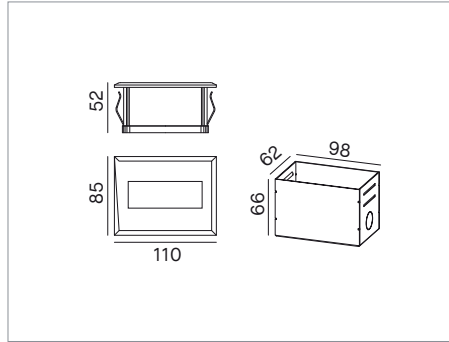
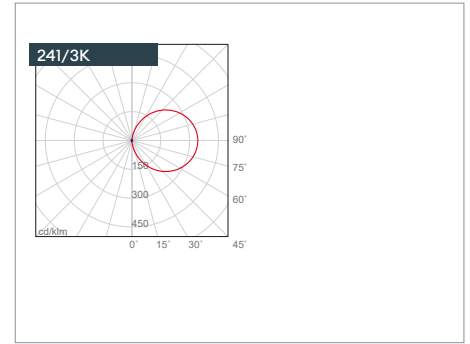
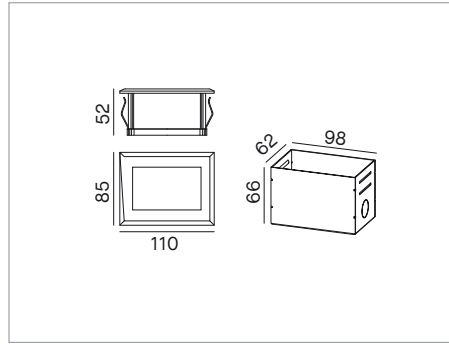
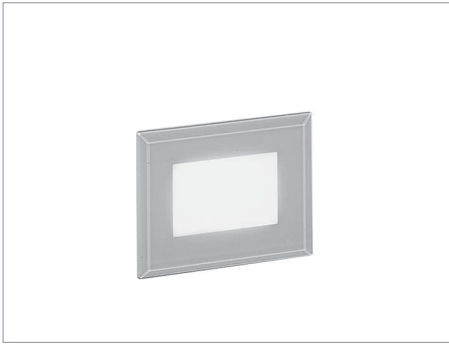


Recessed LED luminaire for wall installation. SMD LED. Lifetime 50,000 hours (L70B50). Housing in aluminum painted anthracite, grey, or white. Frosted tempered glass diffuser. Neoprene cable H05RN-F 3x0.75mm<sup>2</sup>, 0.5m long. Zinc-plated steel back box included. Integrated driver included.

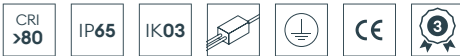


Code	mm	Colour	Real Lm	System/W	CCT
<b>SL05/3K/A</b>	80x80	Anthracite	145	5	3000K
<b>SL05/4K/A</b>	80x80	Anthracite	160	5	4000K
<b>SL05/3K/G</b>	80x80	Grey	145	5	3000K
<b>SL05/4K/G</b>	80x80	Grey	160	5	4000K
<b>SL05/3K/W</b>	80x80	White	145	5	3000K
<b>SL05/4K/W</b>	80x80	White	160	5	4000K
<b>SL12/3K/A</b>	250x65	Anthracite	410	12.5	3000K
<b>SL12/4K/A</b>	250x65	Anthracite	450	12.5	4000K
<b>SL12/3K/G</b>	250x65	Grey	410	12.5	3000K
<b>SL12/4K/G</b>	250x65	Grey	450	12.5	4000K
<b>SL12/3K/W</b>	250x65	White	410	12.5	3000K
<b>SL12/4K/W</b>	250x65	White	450	12.5	4000K

# 241



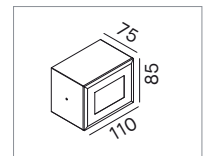
Recessed LED luminaire for wall installation. SMD LED. Lifetime 50,000 hours (L70B50). Housing in white aluminum. Frosted tempered glass diffuser with grey screen printing. Neoprene cable H05RN-F 3x1mm<sup>2</sup>, 0.5m long. Steel back box included, also available separately, Code C/CASSA X 241. Integrated driver included.



Code	Emission	Real Lm	System/W	CCT
<b>241/3K</b>	Diffuse	405	2.7	3000K
<b>241/4K</b>	Diffuse	455	2.7	4000K
<b>241/AS/3K</b>	Asymmetric	90	5.4	3000K
<b>241/AS/4K</b>	Asymmetric	98	5.4	4000K

Accessories to be ordered separately

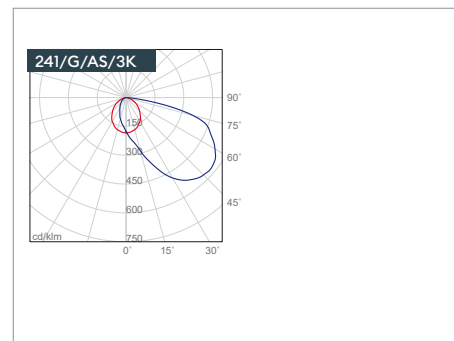
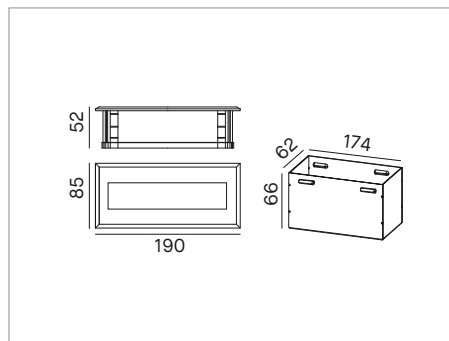
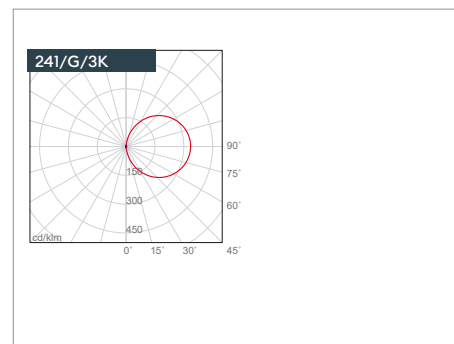
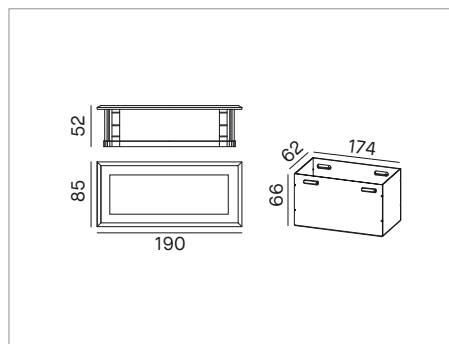
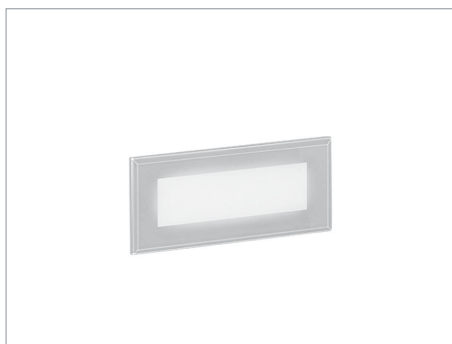
Code	Colour	Description
<b>KIT/241/NA</b>	NA Anthracite	Accessory for wall installation. Housing in painted die-cast aluminum. LED fixture 241 to be ordered separately.
<b>KIT/241/GR</b>	GR Grey	
<b>KIT/241/BI</b>	BI White	



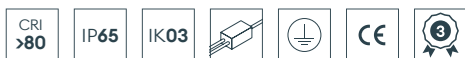
Accessories included with the product, also available for separate order.

Code	Description
<b>C/CASSA X 241</b>	Steel housing

# 241/G



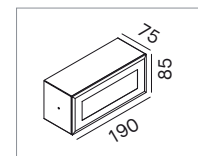
Recessed LED luminaire for wall installation. SMD LED. Lifetime 50,000 hours (L70B50). Housing in white aluminum. Frosted tempered glass diffuser with grey screen printing. Neoprene cable H05RN-F 3x1mm<sup>2</sup>, 0.5m long. Steel back box included, also available separately, Code C/CASSA X 241/G. Integrated driver included.



Code	Emission	Real Lm	System/W	CCT
<b>241/G/3K</b>	Diffuse	810	8	3000K
<b>241/G/4K</b>	Diffuse	910	8	4000K
<b>241/G/AS/3K</b>	Asymmetric	200	9	3000K
<b>241/G/AS/4K</b>	Asymmetric	220	9	4000K

Accessories to be ordered separately

Code	Colour	Description
<b>KIT/241/G/NA</b>	NA Anthracite	Accessory for wall installation. Housing in painted die-cast aluminum. LED fixture 241/G to be ordered separately.
<b>KIT/241/G/GR</b>	GR Grey	
<b>KIT/241/G/BI</b>	BI White	



Accessories included with the product, also available for separate order.

Code	Description
<b>C/CASSA X 241/G</b>	Steel housing

# INGROUND

---

**UPLIGHT** 68

---

**SIDELIGHT** 78

---



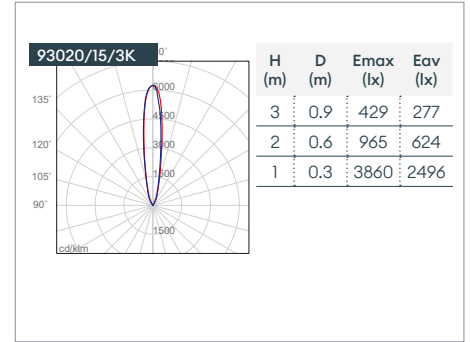
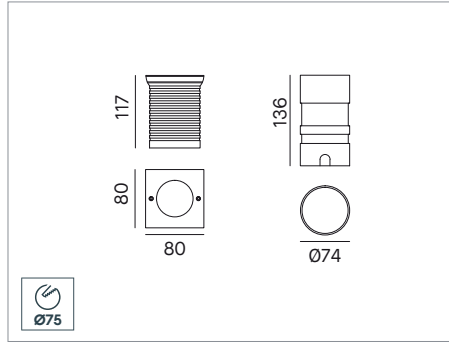
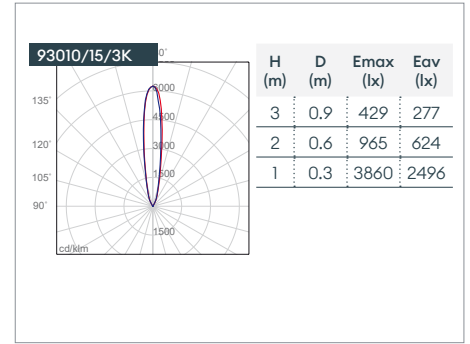
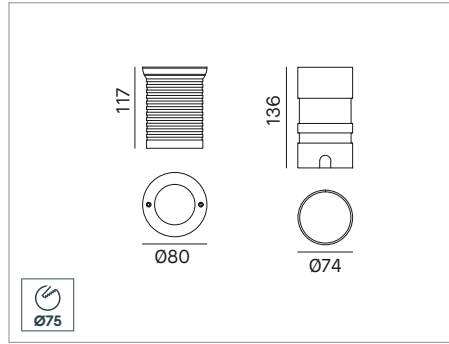


Villa Omega, France

Credit photo: Christophe Pozzo Di Borgo

Lighting Design: LM5P, Aix en Provence, France

# 93010-93020



Round and square recessed LED inground fixture. COB LED. Lifetime 50,000 hours (L70B50). Ring in AISI 316 stainless steel. Housing in black anodized aluminum. Polycarbonate back box included, also available separately, Code **C/CASSA X 93010**. 12mm thick tempered clear glass. Acrylic reflector. Neoprene cable HO5RN-F 3x1mm<sup>2</sup>, 3m long. Integrated driver.

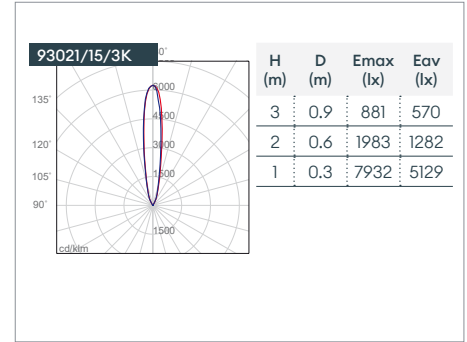
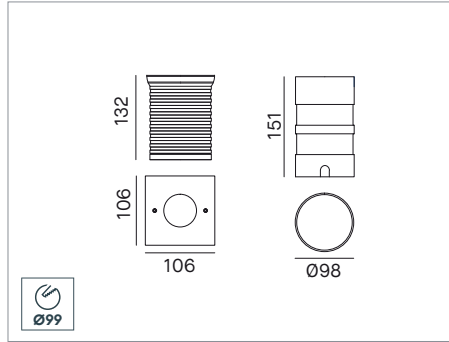
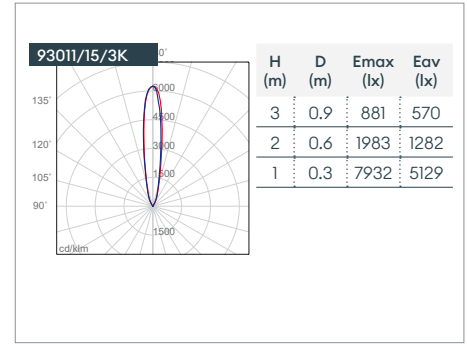
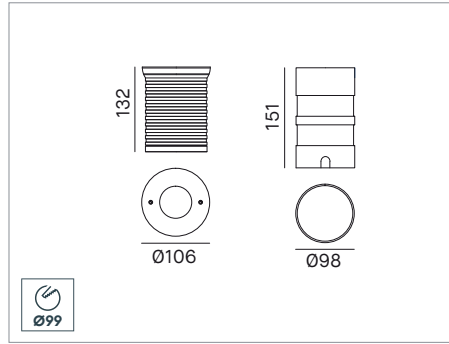


Code	Shape	Real Lm	System/W	CCT	Beam
<b>93010/15/3K</b>	Round	620	9	3000K	15°
<b>93010/15/4K</b>	Round	660	9	4000K	15°
<b>93010/24/3K</b>	Round	670	9	3000K	24°
<b>93010/24/4K</b>	Round	720	9	4000K	24°
<b>93010/36/3K</b>	Round	580	9	3000K	36°
<b>93010/36/4K</b>	Round	620	9	4000K	36°
<b>93020/15/3K</b>	Square	620	9	3000K	15°
<b>93020/15/4K</b>	Square	660	9	4000K	15°
<b>93020/24/3K</b>	Square	670	9	3000K	24°
<b>93020/24/4K</b>	Square	720	9	4000K	24°
<b>93020/36/3K</b>	Square	580	9	3000K	36°
<b>93020/36/4K</b>	Square	620	9	4000K	36°

Accessories included with the product, also available for separate order.

Code	Description
<b>C/CASSA X 93010</b>	Polycarbonate housing included

# 93011-93021



Round and square recessed LED inground fixture. COB LED. Lifetime 50,000 hours (L70B50). Ring in AISI 316 stainless steel. Housing in black anodized aluminum. Polycarbonate back box included, also available separately, Code **C/CASSA X 93011**. 12mm thick tempered clear glass. Acrylic reflector. Neoprene cable H05RN-F 3x1mm<sup>2</sup>, 3m long. Integrated driver.

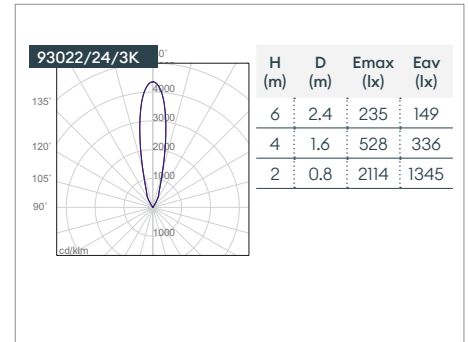
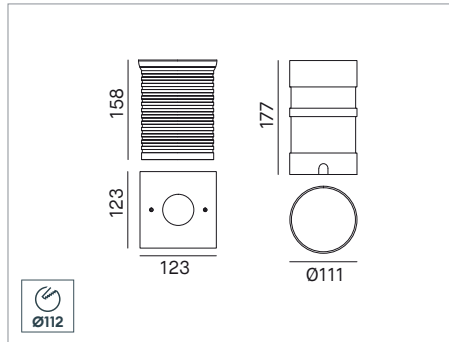
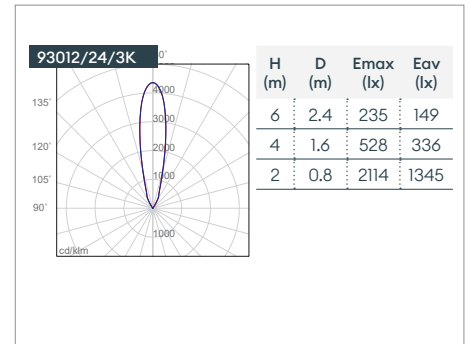
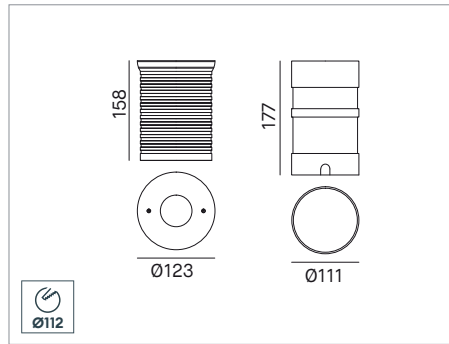


Code	Shape	Real Lm	System/W	CCT	Beam
93011/15/3K	Round	1270	15	3000K	15°
93011/15/4K	Round	1380	15	4000K	15°
93011/24/3K	Round	1430	15	3000K	24°
93011/24/4K	Round	1560	15	4000K	24°
93011/36/3K	Round	1230	15	3000K	36°
93011/36/4K	Round	1340	15	4000K	36°
93021/15/3K	Square	1270	15	3000K	15°
93021/15/4K	Square	1380	15	4000K	15°
93021/24/3K	Square	1430	15	3000K	24°
93021/24/4K	Square	1560	15	4000K	24°
93021/36/3K	Square	1230	15	3000K	36°
93021/36/4K	Square	1340	15	4000K	36°

Accessories included with the product, also available for separate order.

Code	Description
C/CASSA X 93011	Polycarbonate housing included

# 93012-93022



Round and square recessed LED inground fixture. COB LED. Lifetime 50,000 hours (L70B50). Ring in AISI 316 stainless steel. Housing in black anodized aluminum. Polycarbonate back box included, also available separately, Code **C/CASSA X 93012**. 12mm thick tempered clear glass. Acrylic reflector. Neoprene cable HO5RN-F 3x1mm<sup>2</sup>, 3m long. Integrated driver.



Code	Shape	Real Lm	System/W	CCT	Beam
<b>93012/15/3K</b>	Round	1780	23	3000K	15°
<b>93012/15/4K</b>	Round	1890	23	4000K	15°
<b>93012/24/3K</b>	Round	1940	23	3000K	24°
<b>93012/24/4K</b>	Round	2070	23	4000K	24°
<b>93012/36/3K</b>	Round	1670	23	3000K	36°
<b>93012/36/4K</b>	Round	1780	23	4000K	36°
<b>93022/15/3K</b>	Square	1780	23	3000K	15°
<b>93022/15/4K</b>	Square	1890	23	4000K	15°
<b>93022/24/3K</b>	Square	1940	23	3000K	24°
<b>93022/24/4K</b>	Square	2070	23	4000K	24°
<b>93022/36/3K</b>	Square	1670	23	3000K	36°
<b>93022/36/4K</b>	Square	1780	23	4000K	36°

Accessories included with the product, also available for separate order.

Code	Description
<b>C/CASSA X 93012</b>	Polycarbonate housing included



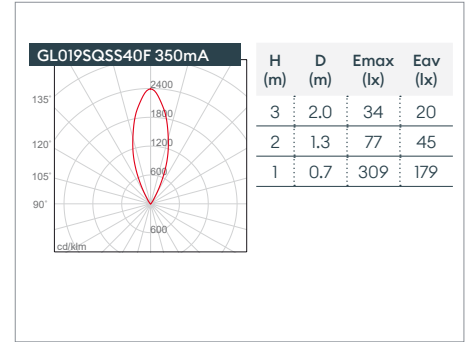
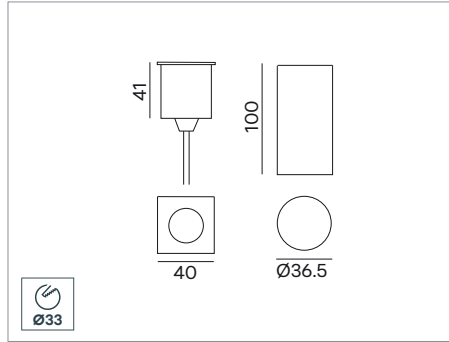
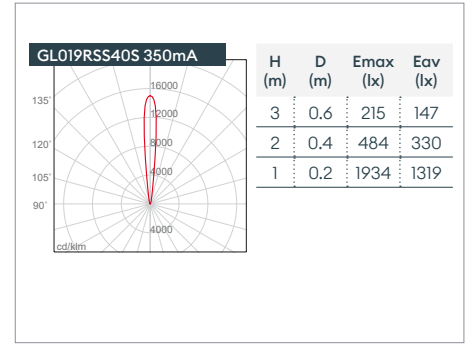
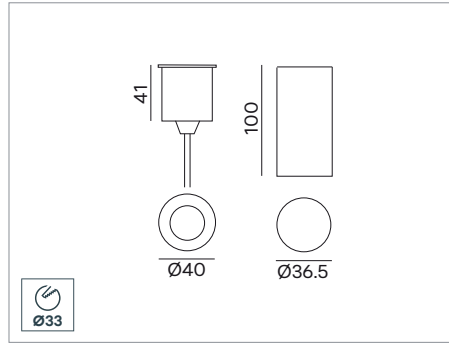
Villa Sigma, France

Credit photo: Christophe Pozzo Di Borgo

Lighting Design: LM5P, Aix en Provence, France

# MODULAR GL019

Stainless steel version with lens



Walk-over LED recessed luminaire for inground installation. COB LED. Lifetime 70,000h (L70B10). Front ring and body in AISI 316 stainless steel. PVC housing box included, Code **INTUBE33X100**. 1 m H05RN-F 2x0.75mm<sup>2</sup> neoprene cable. 350mA or 700mA driver not included, see p. 80-81.



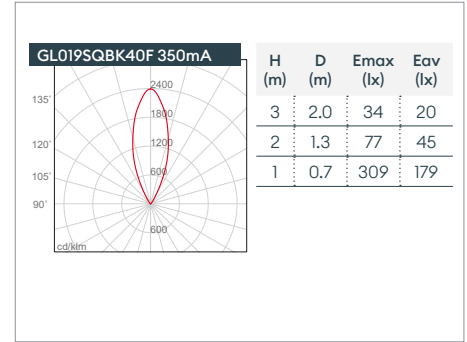
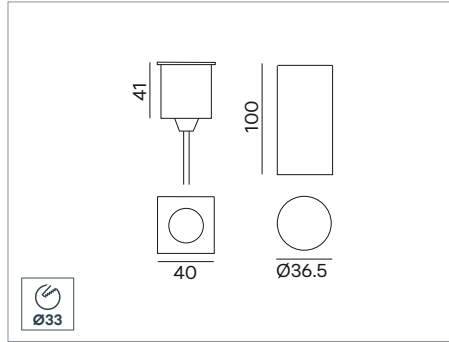
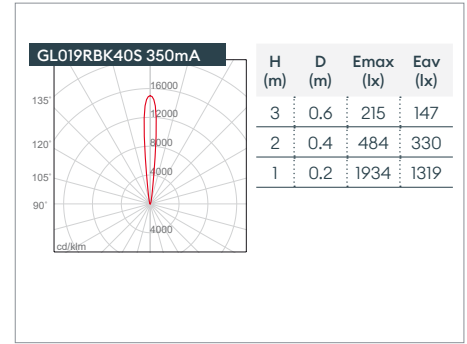
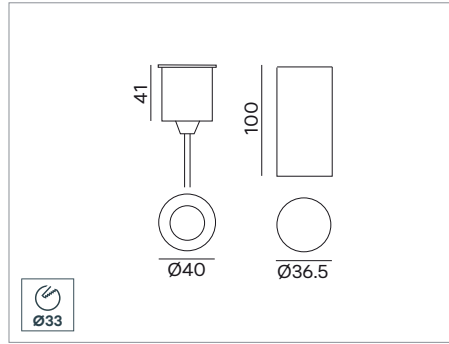
Code	Shape	Real Lm		System/W		CCT	Beam
		350mA	700mA	350mA	700mA		
<b>GL019RSS30S</b>	Round	120	210	1	2.2	3000K	12°
<b>GL019RSS40S</b>	Round	130	235	1	2.2	4000K	12°
<b>GL019RSS30F</b>	Round	120	210	1	2.2	3000K	38°
<b>GL019RSS40F</b>	Round	130	235	1	2.2	4000K	38°
<b>GL019SQSS30S</b>	Square	120	210	1	2.2	3000K	12°
<b>GL019SQSS40S</b>	Square	130	235	1	2.2	4000K	12°
<b>GL019SQSS30F</b>	Square	120	210	1	2.2	3000K	38°
<b>GL019SQSS40F</b>	Square	130	235	1	2.2	4000K	38°

Accessories to be ordered separately

Code	Description
<b>INTUBE33X100</b>	Housing in PVC
<b>5634</b>	2-way waterproof connector. IP68.

# MODULAR GL019

Aluminium version with lens



LED recessed luminaire for inground installation. COB LED. Lifetime 70,000h (L70B10). Front ring in black anodized aluminum. PVC housing box included, Code **INTUBE33X100**. 1 m H05RN-F 2x0.75mm<sup>2</sup> neoprene cable. 350mA or 700mA driver not included, see p. 80-81.



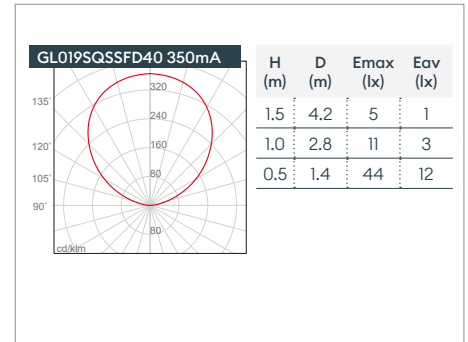
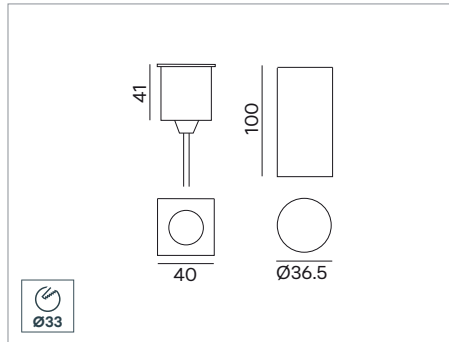
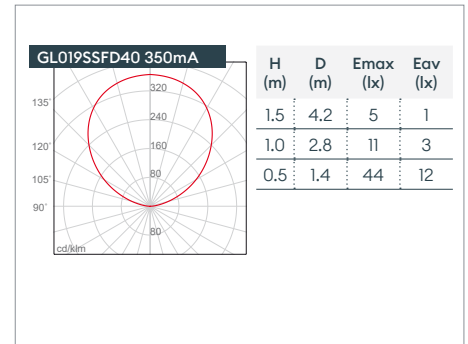
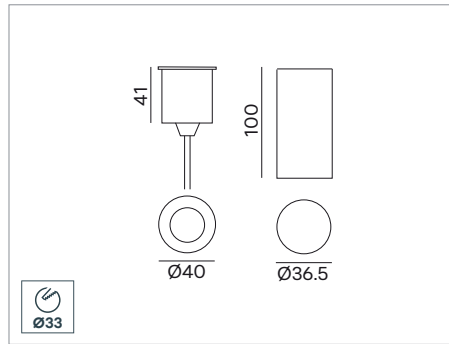
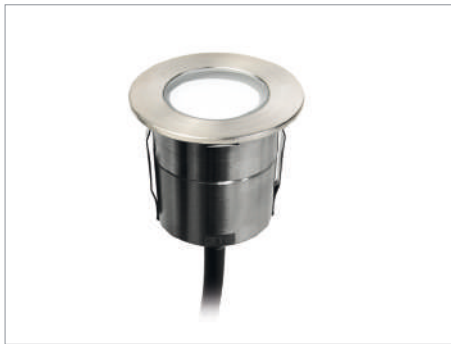
Code	Shape	Real Lm		System/W		CCT	Beam
		350mA	700mA	350mA	700mA		
<b>GL019RBK30S</b>	Round	120	210	1	2.2	3000K	12°
<b>GL019RBK40S</b>	Round	130	235	1	2.2	4000K	12°
<b>GL019RBK30F</b>	Round	120	210	1	2.2	3000K	38°
<b>GL019RBK40F</b>	Round	130	235	1	2.2	4000K	38°
<b>GL019SQBK30S</b>	Square	120	210	1	2.2	3000K	12°
<b>GL019SQBK40S</b>	Square	130	235	1	2.2	4000K	12°
<b>GL019SQBK30F</b>	Square	120	210	1	2.2	3000K	38°
<b>GL019SQBK40F</b>	Square	130	235	1	2.2	4000K	38°

Accessories to be ordered separately

Code	Description
<b>INTUBE33X100</b>	Housing in PVC
<b>5634</b>	2-way waterproof connector. IP68.

# MODULAR GL019

Frosted stainless steel version



Walk-over LED recessed luminaire for inground installation. SMD LED. Lifetime 70,000h (L70B10). Front ring and body in AISI 316 stainless steel. PVC housing box included, Code **INTUBE33X100**. 1 m H05RN-F 2x0.75mm<sup>2</sup> neoprene cable. 350mA driver not included, see p. 80-81.



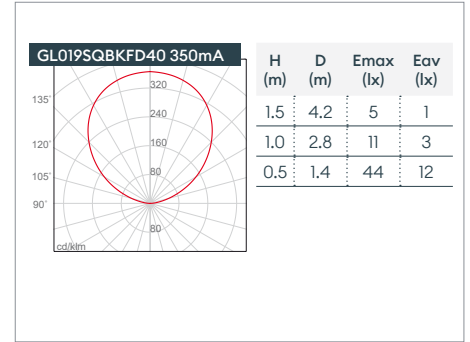
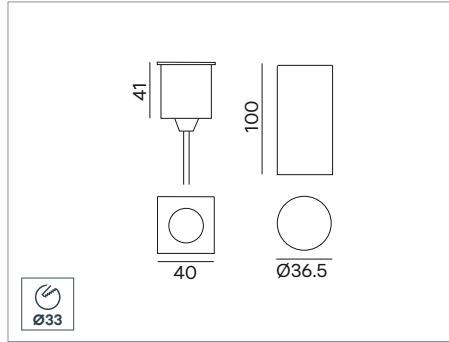
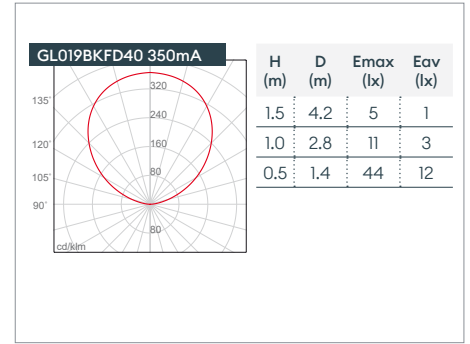
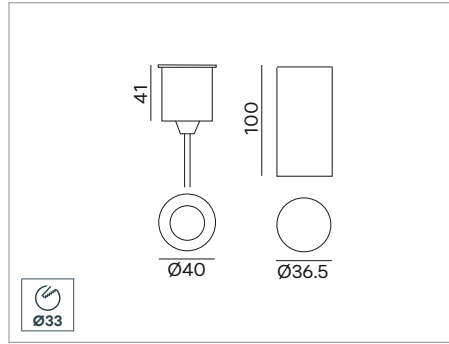
Code	Shape	Real Lm	System/W	CCT	Beam
		350mA	350mA		
<b>GL019SSFD30</b>	Round	30	1	3000K	110°
<b>GL019SSFD40</b>	Round	30	1	4000K	110°
<b>GL019SQSSFD30</b>	Square	30	1	3000K	110°
<b>GL019SQSSFD40</b>	Square	30	1	4000K	110°

Accessories to be ordered separately

Code	Description	
<b>INTUBE33X100</b>	Housing in PVC	Included
<b>5634</b>	2-way waterproof connector. IP68.	Not included

# MODULAR GL019

Frosted aluminum version



LED recessed luminaire for inground installation. SMD LED. Lifetime 70,000h (L70B10). Front ring in black anodized aluminum. PVC housing box included, Code **INTUBE33X100**. 1 m H05RN-F 2x0.75mm<sup>2</sup> neoprene cable. 350mA driver not included, see p. 80-81.



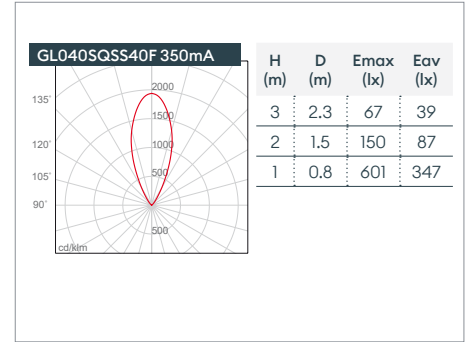
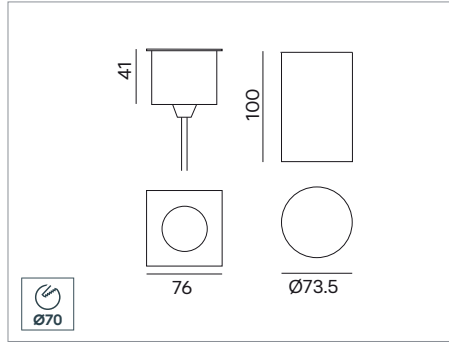
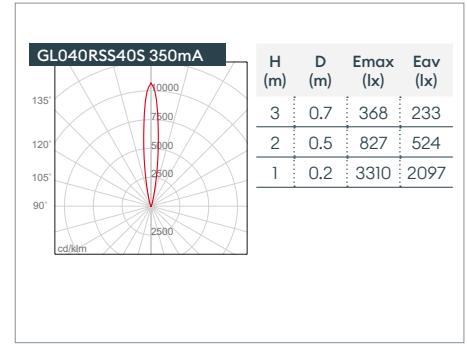
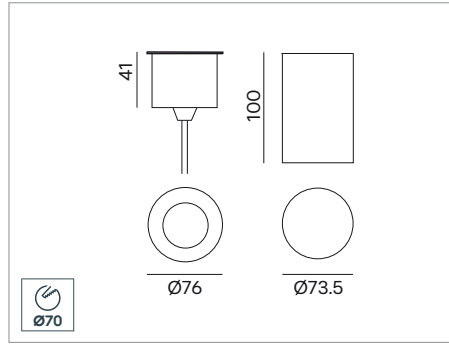
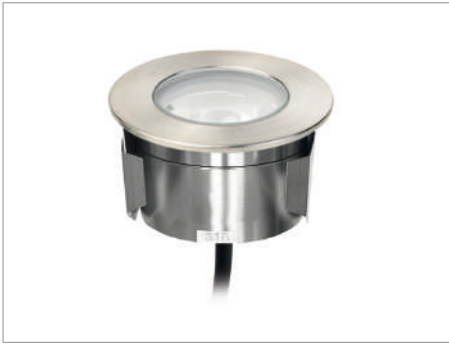
Code	Shape	Real Lm	System/W	CCT	Beam
		350mA	350mA		
<b>GL019BKFD30</b>	Round	30	1	3000K	110°
<b>GL019BKFD40</b>	Round	30	1	4000K	110°
<b>GL019SQBKFD30</b>	Square	30	1	3000K	110°
<b>GL019SQBKFD40</b>	Square	30	1	4000K	110°

Accessories to be ordered separately

Code	Description	
<b>INTUBE33X100</b>	Housing in PVC	Included
<b>5634</b>	2-way waterproof connector. IP68.	Not included

# MODULAR GL040

Version with lens



Walk-over LED recessed luminaire for inground installation. COB LED. Lifetime 70,000h (L70B10). Front ring and body in AISI 316 stainless steel. PVC housing box included, Code **INTUBE70X100**. 1 m H05RN-F 2x0.75 mm<sup>2</sup> neoprene cable. 350mA or 700mA driver not included, see p. 80-81.



Code	Shape	Real Lm		System/W		CCT	Beam
		350mA	700mA	350mA	700mA		
<b>GL040RSS30S</b>	Round	300	520	2	4.6	3000K	12°
<b>GL040RSS40S</b>	Round	310	540	2	4.6	4000K	12°
<b>GL040RSS30F</b>	Round	300	520	2	4.6	3000K	40°
<b>GL040RSS40F</b>	Round	310	540	2	4.6	4000K	40°
<b>GL040SQSS30S</b>	Square	300	520	2	4.6	3000K	12°
<b>GL040SQSS40S</b>	Square	310	540	2	4.6	4000K	12°
<b>GL040SQSS30F</b>	Square	300	520	2	4.6	3000K	40°
<b>GL040SQSS40F</b>	Square	310	540	2	4.6	4000K	40°

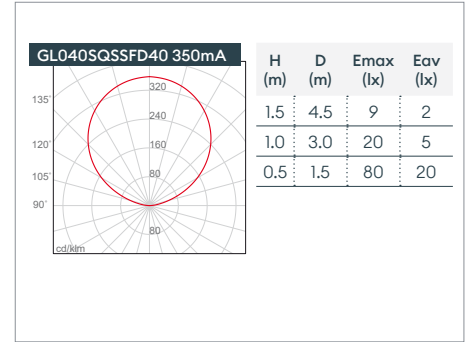
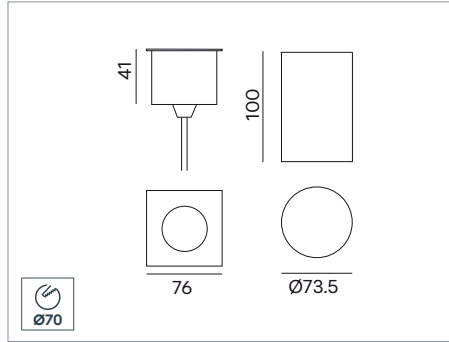
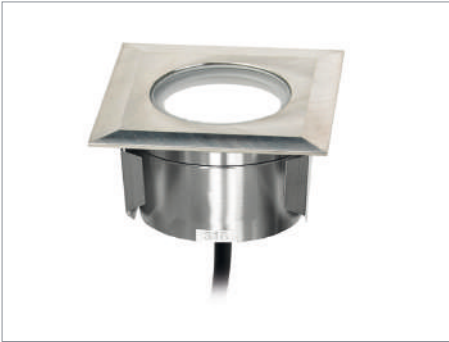
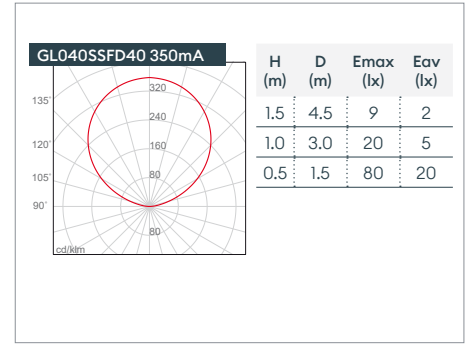
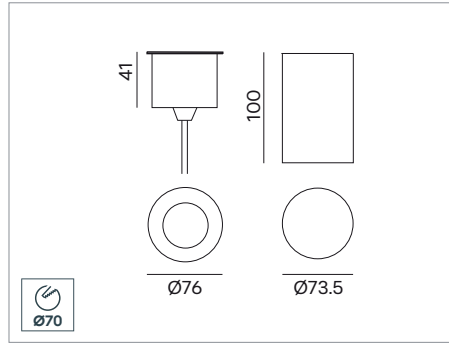
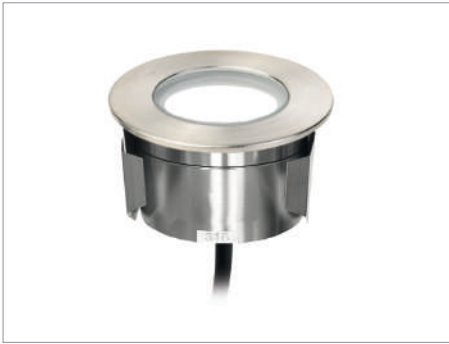
Accessories to be ordered separately

Code	Description
<b>INTUBE70X100</b>	Housing in PVC
<b>5634</b>	2-way waterproof connector. IP68.

# MODULAR GL040

UPLIGHT

Frosted version



Walk-over LED recessed luminaire for inground installation. SMD LED. Lifetime 70,000h (L70B10). Front ring and body in AISI 316 stainless steel. PVC housing box included, Code **INTUBE70X100**. 1 m H05RN-F 2x0.75 mm<sup>2</sup> neoprene cable. 350mA driver not included, see p. 80-81.

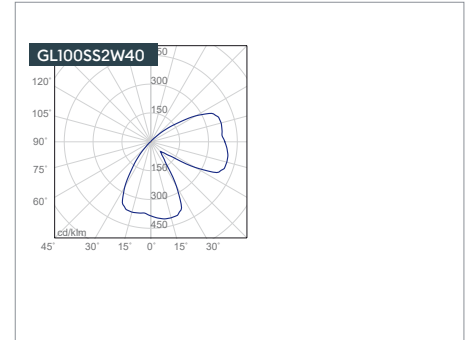
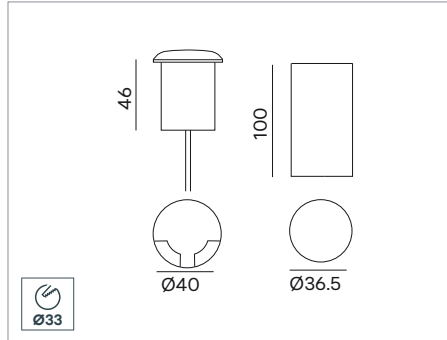
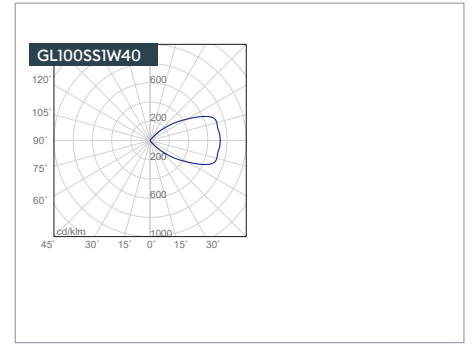
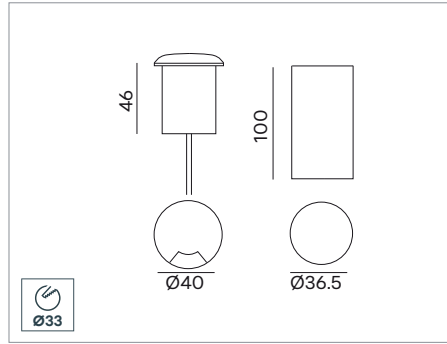


Code	Shape	Real Lm	System/W	CCT	Beam
		350mA	350mA		
<b>GL040SSFD30</b>	Round	54	1	3000K	110°
<b>GL040SSFD40</b>	Round	56	1	4000K	110°
<b>GL040SQSSFD30</b>	Square	54	1	3000K	110°
<b>GL040SQSSFD40</b>	Square	56	1	4000K	110°

Accessories to be ordered separately

Code	Description	
<b>INTUBE70X100</b>	Housing in PVC	Included
<b>5634</b>	2-way waterproof connector. IP68.	Not included

# MODULAR GL100



Walk-over LED recessed grazing light for inground installation. COB LED. Lifetime 70,000h (L70B10). Front ring and body in AISI 316 stainless steel. PVC housing box included, Code **INTUBE33X100**. 1 m H05RN-F 2x0.75mm<sup>2</sup> neoprene cable. 350mA or 700mA driver not included, see p. 80-81.

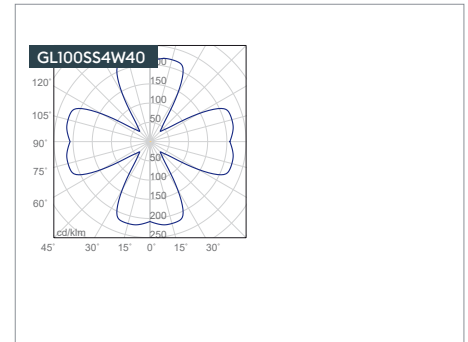
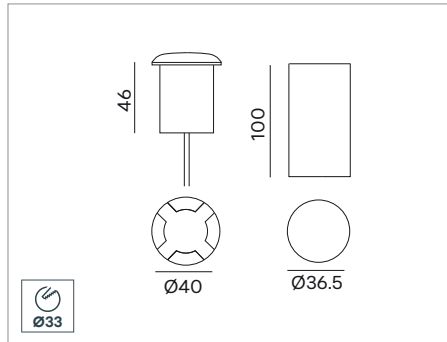
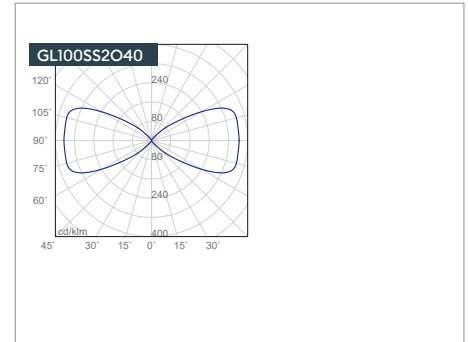
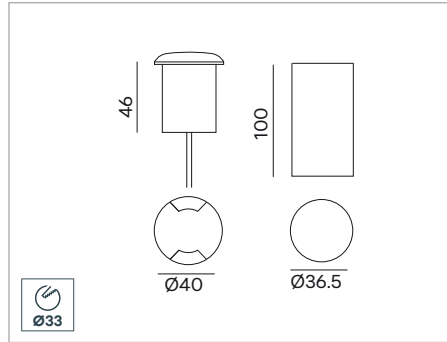


Code	Description	Real Lm		System/W		CCT
		350mA	700mA	350mA	700mA	
<b>GL100SS1W30</b>	1 emission	3	6	1	2.2	3000K
<b>GL100SS1W40</b>	1 emission	3	6	1	2.2	4000K
<b>GL100SS2W30</b>	2 emissions	6	11	1	2.2	3000K
<b>GL100SS2W40</b>	2 emissions	7	12	1	2.2	4000K

Accessories to be ordered separately

Code	Description	
<b>INTUBE33X100</b>	Housing in PVC	Included
<b>5634</b>	2-way waterproof connector. IP68.	Not included

# MODULAR GL100



Walk-over LED recessed grazing light for inground installation. COB LED. Lifetime 70,000h (L70B10). Front ring and body in AISI 316 stainless steel. PVC housing box included, Code **INTUBE33X100**. 1 m H05RN-F 2x0.75mm<sup>2</sup> neoprene cable. 350mA or 700mA driver not included, see p. 80-81.



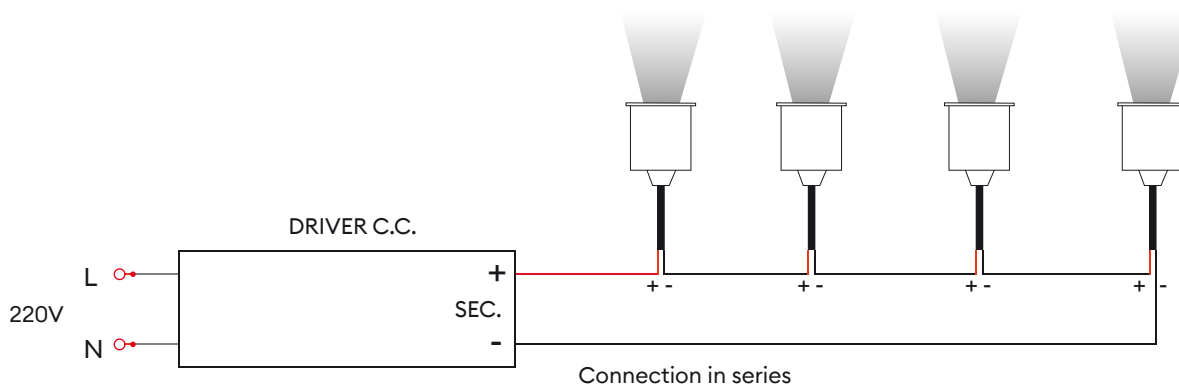
Code	Description	Real Lm		System/W		CCT
		350mA	700mA	350mA	700mA	
<b>GL100SS2O30</b>	2 opposite emissions	6	11	1	2.2	3000K
<b>GL100SS2O40</b>	2 opposite emissions	7	12	1	2.2	4000K
<b>GL100SS4W30</b>	4 emissions	11	20	1	2.2	3000K
<b>GL100SS4W40</b>	4 emissions	12	22	1	2.2	4000K

Accessories to be ordered separately

Code	Description	
<b>INTUBE33X100</b>	Housing in PVC	Included
<b>5634</b>	2-way waterproof connector. IP68.	Not included

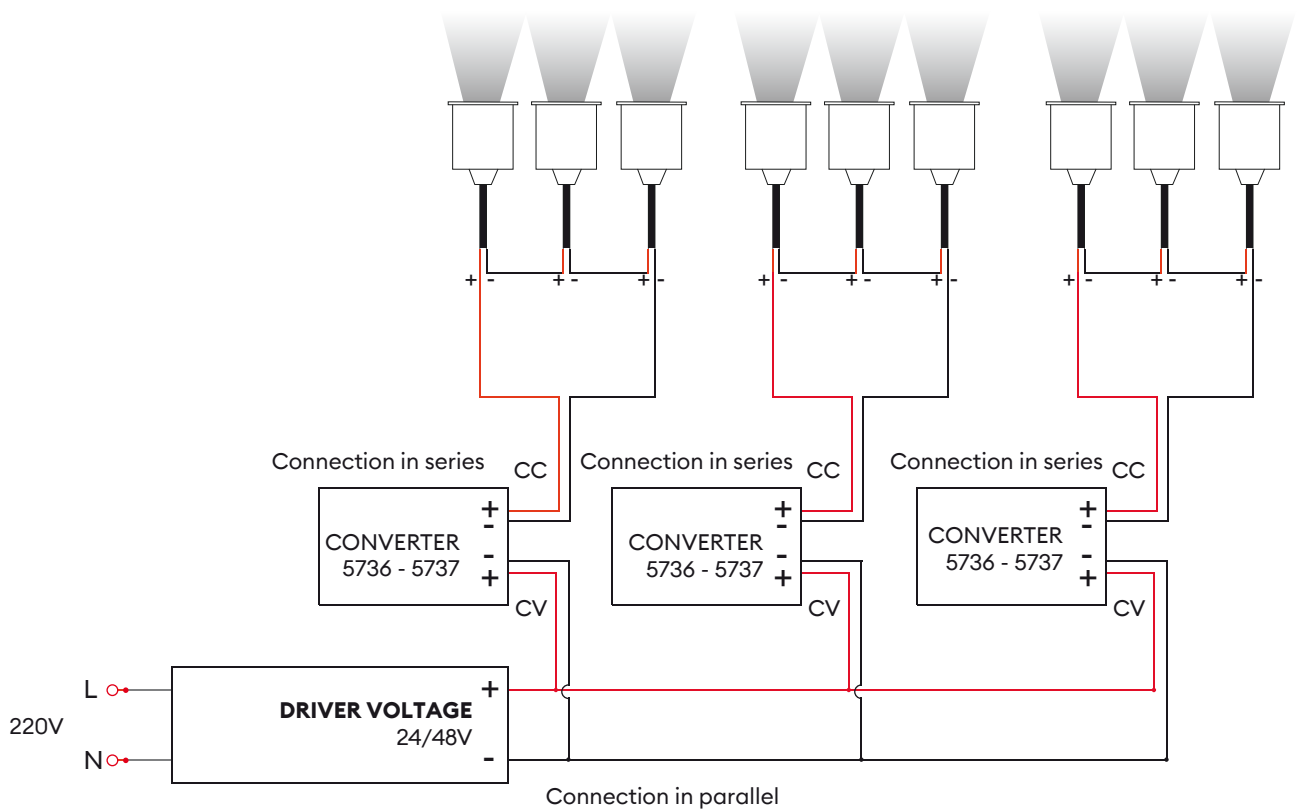
# Wiring with C.C. Driver

Product Code	mA	Code	Output W	IP	min/max luminaires
GL019RSS GL019RBK GL019SQSS GL019SQBK GL100SSIW GL100SS2W GL100SS2O GL100SS4W	350mA	<b>5701/IP</b>	0 3	IP65	1 3
		<b>5720</b>	0 8	IP20	1 8
		<b>5735/350</b>	0 16	IP20	1 16
		<b>5722</b>	1 14	IP67	1 14
	700mA	<b>5750/IP</b>	0 3	IP65	1 1
		<b>5761</b>	6 10	IP20	2 3
		<b>5723</b>	1 14	IP67	1 6
		<b>5735/700</b>	0 28	IP20	1 12
		<b>5859</b>	1 31	IP20	1 14
		<b>5863</b>	7 35	IP68	4 15
GL019SSFD GL019BKFD GL019SQSSFD GL019SQBKFD	350mA	<b>5701/IP</b>	0 3	IP65	1 3
		<b>5720</b>	0 8	IP20	1 8
		<b>5735/350</b>	0 16	IP20	1 16
		<b>5722</b>	1 14	IP67	1 14
GL040RSS GL040SQSS	350mA	<b>5701/IP</b>	0 3	IP65	1 1
		<b>5720</b>	0 8	IP20	1 4
		<b>5735/350</b>	0 16	IP20	1 8
		<b>5722</b>	1 14	IP67	1 7
	700mA	<b>5761</b>	6 10	IP20	1 1
		<b>5723</b>	1 14	IP67	1 3
GL040SSFD GL040SQSSFD	350mA	<b>5701/IP</b>	0 3	IP65	1 3
		<b>5720</b>	0 8	IP20	1 8
		<b>5735/350</b>	0 16	IP20	1 16
		<b>5722</b>	1 14	IP67	1 14



# Wiring with C.C. + C.V. Converter

Product Code	W	mA	Code	Description	min/max luminaires	
GL019 GL040 GL100	1	350mA	<b>5736</b>	Converter CC-CV (24-48V)	1	10
	2.2	700mA	<b>5737</b>	Converter CC-CV (24-48V)	1	10
GL040	2	350mA	<b>5736</b>	Converter CC-CV (24-48V)	1	7
	4.6	700mA	<b>5737</b>	Converter CC-CV (24-48V)	1	5



Drivers 24Vdc to be ordered separately

Code	W	IP
<b>5788</b>	24Vdc 25	IP67
<b>5759</b>	24Vdc 40	IP67
<b>5782</b>	24Vdc 60	IP67
<b>5674</b>	24Vdc 70	IP20
<b>5783</b>	24Vdc 75	IP67
<b>5784</b>	24Vdc 100	IP67
<b>5672</b>	24Vdc 150	IP67
<b>5671</b>	24Vdc 150	IP20

Drivers 48Vdc to be ordered separately

Code	W	IP
<b>5747</b>	48Vdc 60	IP20
<b>5999</b>	48Vdc 100	IP67
<b>5742</b>	48Vdc 150	IP20
<b>5995</b>	48Vdc 150	IP67
<b>5743</b>	48Vdc 200	IP20
<b>5996</b>	48Vdc 240	IP67
<b>5744</b>	48Vdc 250	IP20
<b>5746</b>	48Vdc 320	IP20

# BOLLARD

---

SLIM 84

---

LEVEL 90

---

SPOTTY 94

---





# SLIM

SLIM BOLLARD is designed to provide elegant and functional lighting for residential outdoor spaces. Its compact design pairs well with the LEVEL, BRIK, or BRIK PRO wall lights. SLIM is available in 24 combinations: 2 shapes (round and square), 3 heights (30 cm, 60 cm, 90 cm), and 4 finishes: white, grey, anthracite, and dark brown.





## BOLLARD

p.86-89

**2 SHAPES:** round and square

**2 EMISSIONS:** 180° - 360°

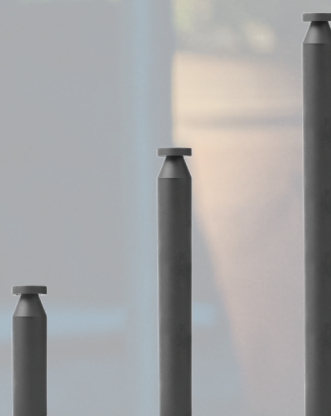
**3 HEIGHTS:** h.30cm - h.60cm - h.90cm

**4 FINISHING:** Anthracite, white, grey and dark brown

**CCT SELECTOR:** 2700K/3000K/4000K

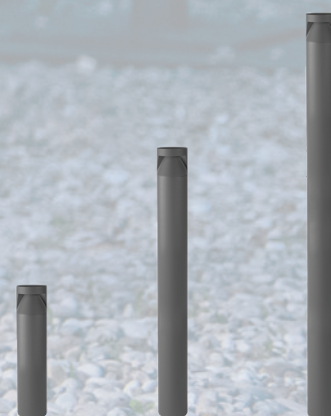
### EMISSION 360°

SM030\_/2A - SM060\_/2A - SM090\_/2A



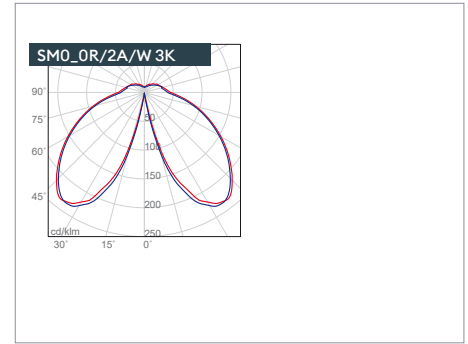
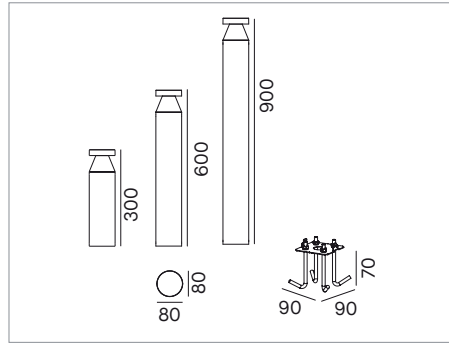
### EMISSION 180°

SM030\_/1A - SM060\_/1A - SM090\_/1A



# SLIM

Round version



Round LED bollard for floor installation. SMD LED. Lifetime 50,000 h (L80B20). Body in die-cast aluminum, available in anthracite, grey, white, or dark brown. Diffuser in frosted glass. Code **KIT/SM030**. Anchoring system included, available separately. Integrated TRIAC dimmable driver. Light emission 180° or 360°. Integrated colour temperature selector: 2700K / 3000K / 4000K.



Code	Height	Emission	Colour	Real Lm	System/W	CCT
<b>SM030R/1A/A</b>	h.300mm	180°	Anthracite	290-310-305	5.5	2700K-3000K-4000K
<b>SM030R/1A/G</b>	h.300mm	180°	Grey	290-310-305	5.5	2700K-3000K-4000K
<b>SM030R/1A/W</b>	h.300mm	180°	White	290-310-305	5.5	2700K-3000K-4000K
<b>SM030R/1A/BR</b>	h.300mm	180°	Dark brown	290-310-305	5.5	2700K-3000K-4000K
<b>SM030R/2A/A</b>	h.300mm	360°	Anthracite	1075-1130-1150	14	2700K-3000K-4000K
<b>SM030R/2A/G</b>	h.300mm	360°	Grey	1075-1130-1150	14	2700K-3000K-4000K
<b>SM030R/2A/W</b>	h.300mm	360°	White	1075-1130-1150	14	2700K-3000K-4000K
<b>SM030R/2A/BR</b>	h.300mm	360°	Dark brown	1075-1130-1150	14	2700K-3000K-4000K
<b>SM060R/1A/A</b>	h.600mm	180°	Anthracite	290-310-305	5.5	2700K-3000K-4000K
<b>SM060R/1A/G</b>	h.600mm	180°	Grey	290-310-305	5.5	2700K-3000K-4000K
<b>SM060R/1A/W</b>	h.600mm	180°	White	290-310-305	5.5	2700K-3000K-4000K
<b>SM060R/1A/BR</b>	h.600mm	180°	Dark brown	290-310-305	5.5	2700K-3000K-4000K
<b>SM060R/2A/A</b>	h.600mm	360°	Anthracite	1075-1130-1150	14	2700K-3000K-4000K
<b>SM060R/2A/G</b>	h.600mm	360°	Grey	1075-1130-1150	14	2700K-3000K-4000K
<b>SM060R/2A/W</b>	h.600mm	360°	White	1075-1130-1150	14	2700K-3000K-4000K
<b>SM060R/2A/BR</b>	h.600mm	360°	Dark brown	1075-1130-1150	14	2700K-3000K-4000K
<b>SM090R/1A/A</b>	h.900mm	180°	Anthracite	290-310-305	5.5	2700K-3000K-4000K
<b>SM090R/1A/G</b>	h.900mm	180°	Grey	290-310-305	5.5	2700K-3000K-4000K
<b>SM090R/1A/W</b>	h.900mm	180°	White	290-310-305	5.5	2700K-3000K-4000K
<b>SM090R/1A/BR</b>	h.900mm	180°	Dark brown	290-310-305	5.5	2700K-3000K-4000K
<b>SM090R/2A/A</b>	h.900mm	360°	Anthracite	1075-1130-1150	14	2700K-3000K-4000K
<b>SM090R/2A/G</b>	h.900mm	360°	Grey	1075-1130-1150	14	2700K-3000K-4000K
<b>SM090R/2A/W</b>	h.900mm	360°	White	1075-1130-1150	14	2700K-3000K-4000K
<b>SM090R/2A/BR</b>	h.900mm	360°	Dark brown	1075-1130-1150	14	2700K-3000K-4000K

Lumen values for the white colour version

Accessories available on request, sold separately

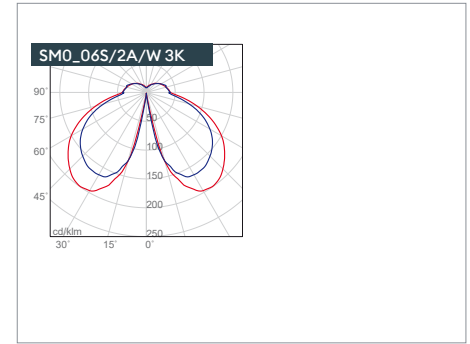
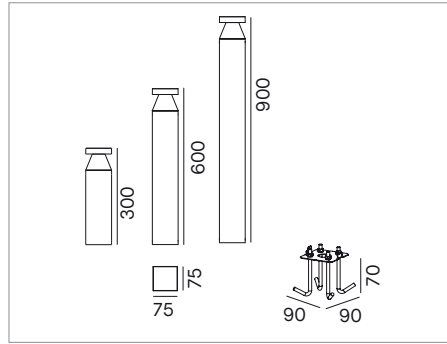
Code	Description	
<b>KIT/SM030</b>	Ground anchoring system for floor installation	Included
<b>5630</b>	3-pin coaxial connector, IP68	Not included

Round version with 180° light emission



# SLIM

Square version



Square LED bollard for floor installation. SMD LED. Lifetime 50,000 h (L80B20). Body in die-cast aluminum, available in anthracite, grey, white, or dark brown. Diffuser in frosted glass. Code **KIT/SM030**. Anchoring system included, available separately. Integrated TRIAC dimmable driver. Light emission 180° or 360°. Integrated colour temperature selector: 2700K / 3000K / 4000K.



Code	Height	Emission	Colour	Real Lm	System/W	CCT
<b>SM030S/1A/A</b>	h.300mm	180°	Anthracite	260-275-270	5.5	2700K-3000K-4000K
<b>SM030S/1A/G</b>	h.300mm	180°	Grey	260-275-270	5.5	2700K-3000K-4000K
<b>SM030S/1A/W</b>	h.300mm	180°	White	260-275-270	5.5	2700K-3000K-4000K
<b>SM030S/1A/BR</b>	h.300mm	180°	Dark brown	260-275-270	5.5	2700K-3000K-4000K
<b>SM030S/2A/A</b>	h.300mm	360°	Anthracite	1185-1245-1240	14	2700K-3000K-4000K
<b>SM030S/2A/G</b>	h.300mm	360°	Grey	1185-1245-1240	14	2700K-3000K-4000K
<b>SM030S/2A/W</b>	h.300mm	360°	White	1185-1245-1240	14	2700K-3000K-4000K
<b>SM030S/2A/BR</b>	h.300mm	360°	Dark brown	1185-1245-1240	14	2700K-3000K-4000K
<b>SM060S/1A/A</b>	h.600mm	180°	Anthracite	260-275-270	5.5	2700K-3000K-4000K
<b>SM060S/1A/G</b>	h.600mm	180°	Grey	260-275-270	5.5	2700K-3000K-4000K
<b>SM060S/1A/W</b>	h.600mm	180°	White	260-275-270	5.5	2700K-3000K-4000K
<b>SM060S/1A/BR</b>	h.600mm	180°	Dark brown	260-275-270	5.5	2700K-3000K-4000K
<b>SM060S/2A/A</b>	h.600mm	360°	Anthracite	1185-1245-1240	14	2700K-3000K-4000K
<b>SM060S/2A/G</b>	h.600mm	360°	Grey	1185-1245-1240	14	2700K-3000K-4000K
<b>SM060S/2A/W</b>	h.600mm	360°	White	1185-1245-1240	14	2700K-3000K-4000K
<b>SM060S/2A/BR</b>	h.600mm	360°	Dark brown	1185-1245-1240	14	2700K-3000K-4000K
<b>SM090S/1A/A</b>	h.900mm	180°	Anthracite	260-275-270	5.5	2700K-3000K-4000K
<b>SM090S/1A/G</b>	h.900mm	180°	Grey	260-275-270	5.5	2700K-3000K-4000K
<b>SM090S/1A/W</b>	h.900mm	180°	White	260-275-270	5.5	2700K-3000K-4000K
<b>SM090S/1A/BR</b>	h.900mm	180°	Dark brown	260-275-270	5.5	2700K-3000K-4000K
<b>SM090S/2A/A</b>	h.900mm	360°	Anthracite	1185-1245-1240	14	2700K-3000K-4000K
<b>SM090S/2A/G</b>	h.900mm	360°	Grey	1185-1245-1240	14	2700K-3000K-4000K
<b>SM090S/2A/W</b>	h.900mm	360°	White	1185-1245-1240	14	2700K-3000K-4000K
<b>SM090S/2A/BR</b>	h.900mm	360°	Dark brown	1185-1245-1240	14	2700K-3000K-4000K

Lumen values for the white colour version

Accessories available on request, sold separately

Code	Description	
<b>KIT/SM030</b>	Ground anchoring system for floor installation	Included
<b>5630</b>	3-pin coaxial connector, IP68	Not included

Square version with 180° light emission



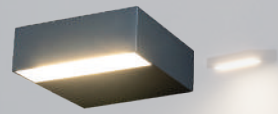
# LEVEL

LEVEL is a bollard that, paired with the LEVEL WALL LIGHT LVI2, becomes a square, minimalist lighting element that blends perfectly into the environments where it is installed.

It is available in heights of 60cm or 90cm and can be fitted with one or two Level wall lights, providing either single or double light emission.

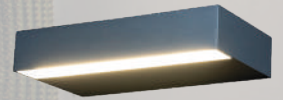


**WALL LIGHT  
LV12**  
L.12cm - p.22



**2 EMISSIONS:** mono and bi-emission  
**4 FINISHING:** anthracite, grey, white  
or dark brown  
**2 CCT:** 3000K - 4000K  
Compatible with pole for **BOLLARD** version

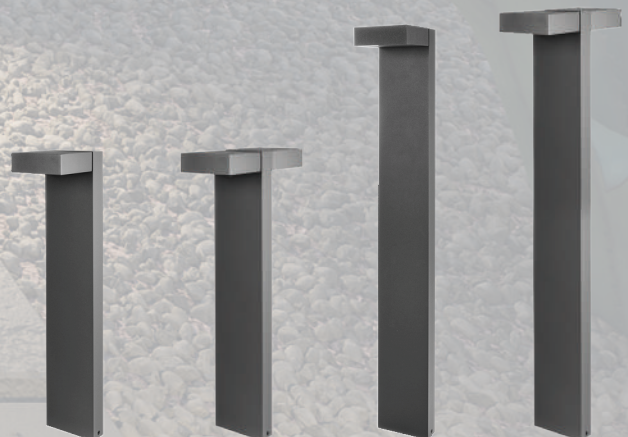
**WALL LIGHT  
LV22**  
L.22cm - p.23



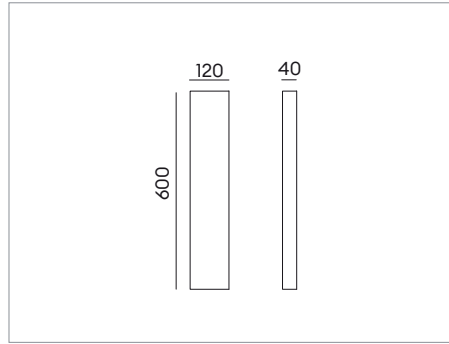
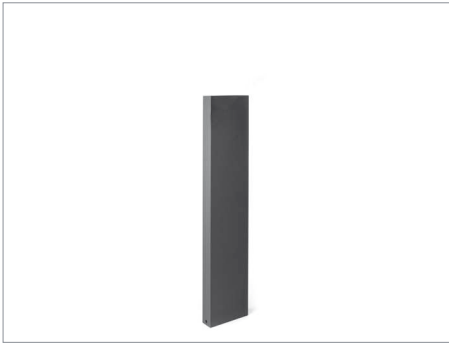
**2 EMISSIONS:** mono and bi-emission  
**4 FINISHING:** anthracite, grey, white  
or dark brown  
**2 CCT:** 3000K - 4000K

**BOLLARD  
LV060 - LV090**  
H.60cm or H. 90cm - p.92

**COMPATIBLE with WALL LIGHT LV12**  
**SINGLE VERSION:** mono-emission  
**DOUBLE VERSION:** bi-emission  
**4 FINISHING:** anthracite or dark brown



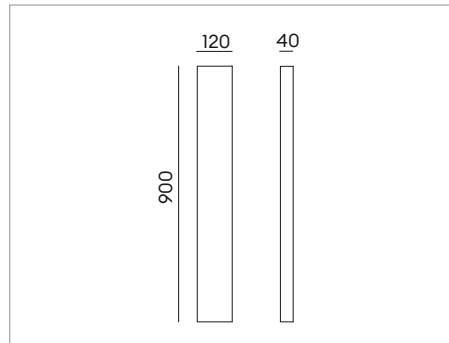
# LV060



Extruded aluminum post for bollard version compatible with LEVEL LV12 wall light. Height 60 cm, available in 2 finishes: anthracite or dark brown.

Code	Description		Colour	System/W
LV060/1A/A	For single emission	1 x LV12	Anthracite	6.5
LV060/1A/BR	For single emission	1 x LV12	Dark brown	6.5
LV060/2A/A	For double emission	2 x LV12	Anthracite	2x6.5
LV060/2A/BR	For double emission	2 x LV12	Dark brown	2x6.5

# LV090



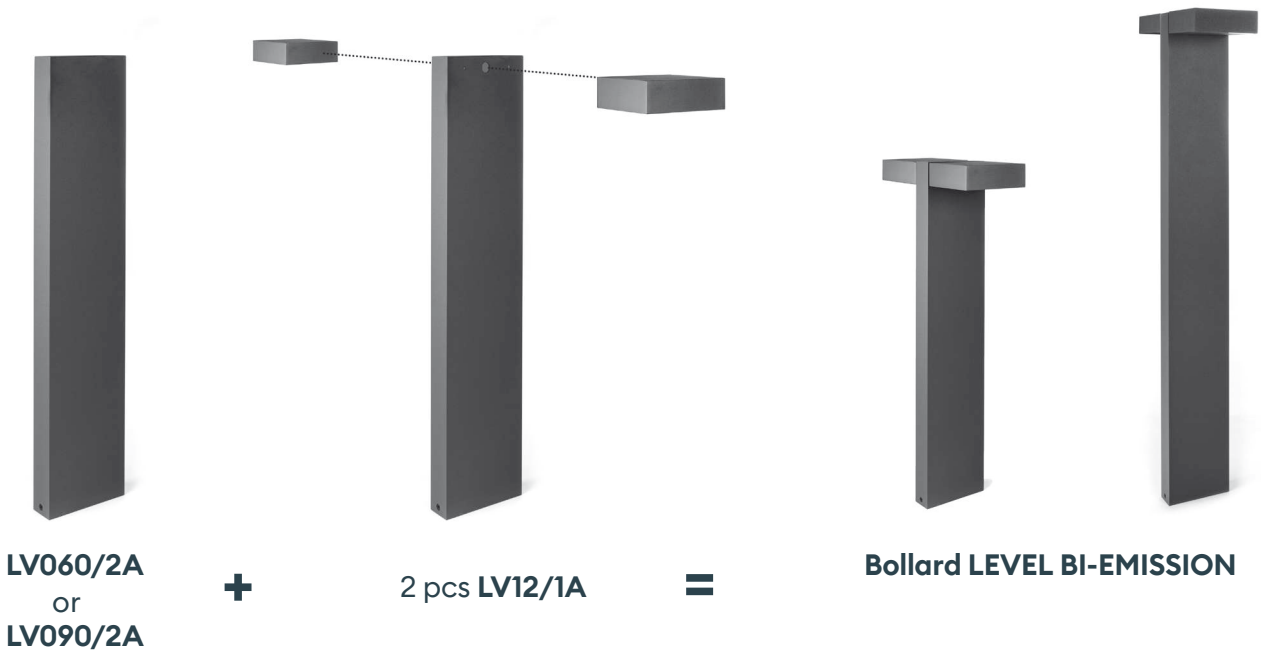
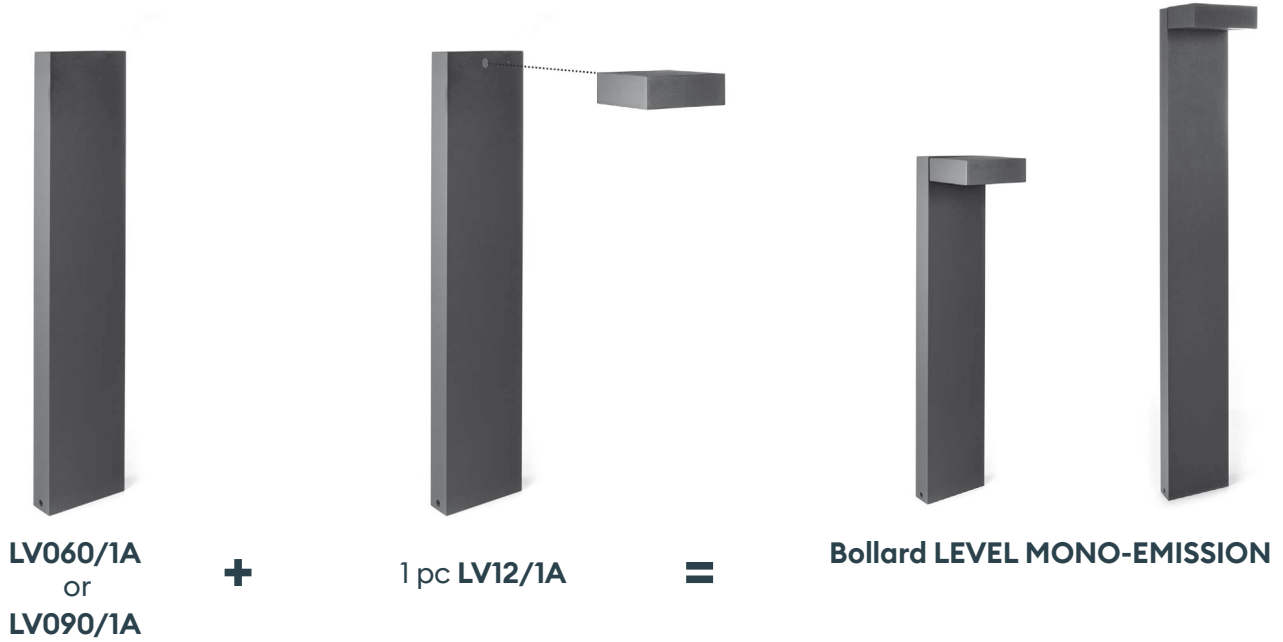
Extruded aluminum post for bollard version compatible with LEVEL LV12 wall light. Height 90cm, available in 2 finishes: anthracite or dark brown.

Code	Description		Colour	System/W
LV090/1A/A	For single emission	1 x LV12	Anthracite	6.5
LV090/1A/BR	For single emission	1 x LV12	Dark brown	6.5
LV090/2A/A	For double emission	2 x LV12	Anthracite	2x6.5
LV090/2A/BR	For double emission	2 x LV12	Dark brown	2x6.5

# LEVEL BOLLARD

**LV060** and **LV090** are two accessories:

Two posts with heights of 60cm and 90cm, which, when paired with the **LEVEL LV12/1A** wall light, create a **MONO-** or **BI-EMISSION** bollard, depending on the number of wall lights installed.



# SPOTTY

A versatile and elegant family, it consists of three spotlights for ceiling and wall installation, and two bollards, with single or double spotlights, for pathway or accent lighting.



PT05/1A  
p.42



Wall light  
**MONO-EMISSION**  
fixed

PT05/2A  
p.42



Wall light  
**BI-EMISSION**  
fixed

PT05/M  
p.43



Wall light  
**MONO-EMISSION**  
adjustable



PT090/01  
p.96

PT090/02  
p.97

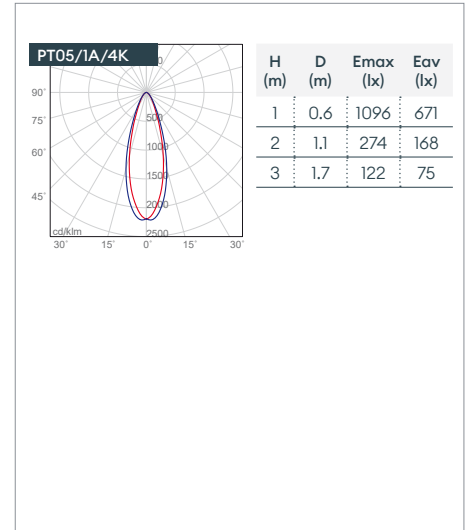
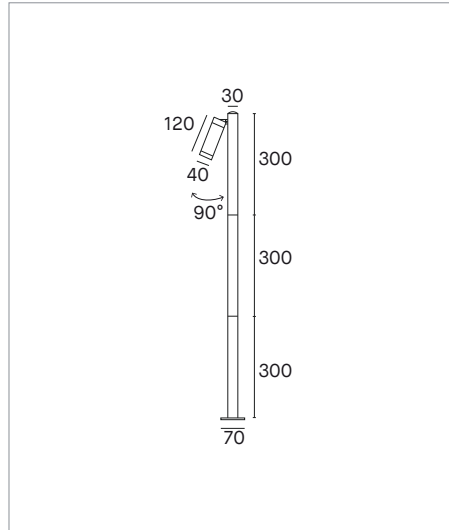


**MODULARITY**

Three 30 cm sections included in the package, allowing for three selectable heights: 30cm, 60cm, and 90cm.

# PT090/01

1 Light



LED Bollard for floor installation with adjustable single spotlight. COB LED. Lifetime: 50,000 h (L70B20). Body in painted aluminum in anthracite, grey, white, or dark brown. Beam angle: 30°. Floor mounting system included. IP68 connector included, code **5630**. Driver included.



Code	Colour	Real Lm	System/W	CCT	Beam
PT090/01/M/3K/A	Anthracite	400	5	3000K	30°
PT090/01/M/4K/A	Anthracite	500	5	4000K	30°
PT090/01/M/3K/G	Grey	400	5	3000K	30°
PT090/01/M/4K/G	Grey	500	5	4000K	30°
PT090/01/M/3K/W	White	400	5	3000K	30°
PT090/01/M/4K/W	White	500	5	4000K	30°
PT090/01/M/3K/BR	Dark brown	400	5	3000K	30°
PT090/01/M/4K/BR	Dark brown	500	5	4000K	30°

Accessories to be ordered separately



Code	
PT090/BASE/A	A
PT090/BASE/G	G
PT090/BASE/W	W
PT090/BASE/BR	BR

Mounting base, 160mm high, made of painted aluminum in anthracite, grey, white, or dark brown, for through-wiring connection.



Code	
PT090/SPIKE/A	A
PT090/SPIKE/G	G
PT090/SPIKE/W	W
PT090/SPIKE/BR	BR

Ground mounting spike in painted aluminum in anthracite, grey, white, or dark brown, for installation in the ground.



Code	
KIT/PT090	

Ground anchoring system for installation in the ground, complete with small and large mounting triangles for PT090/BASE/\_.

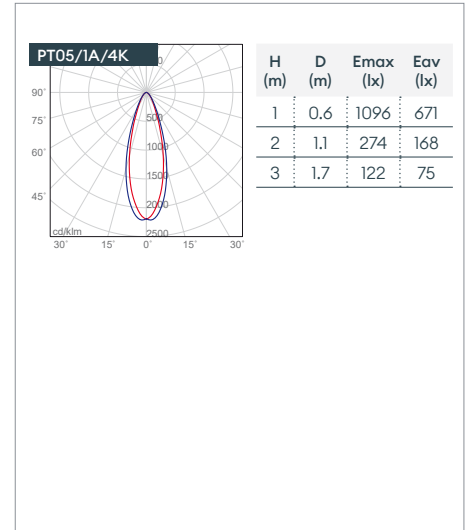
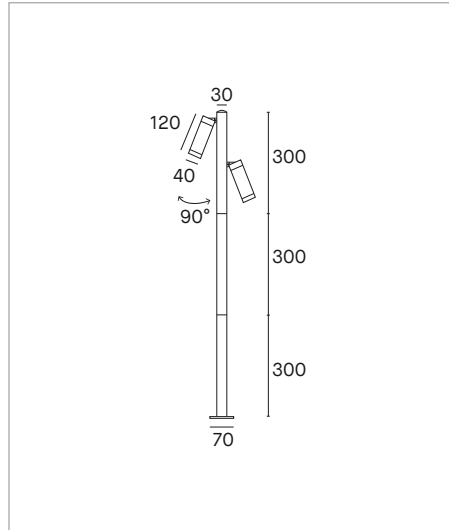


Code	
5630	

Three-pole coaxial connector, IP68. Included with the product.

# PT090/02

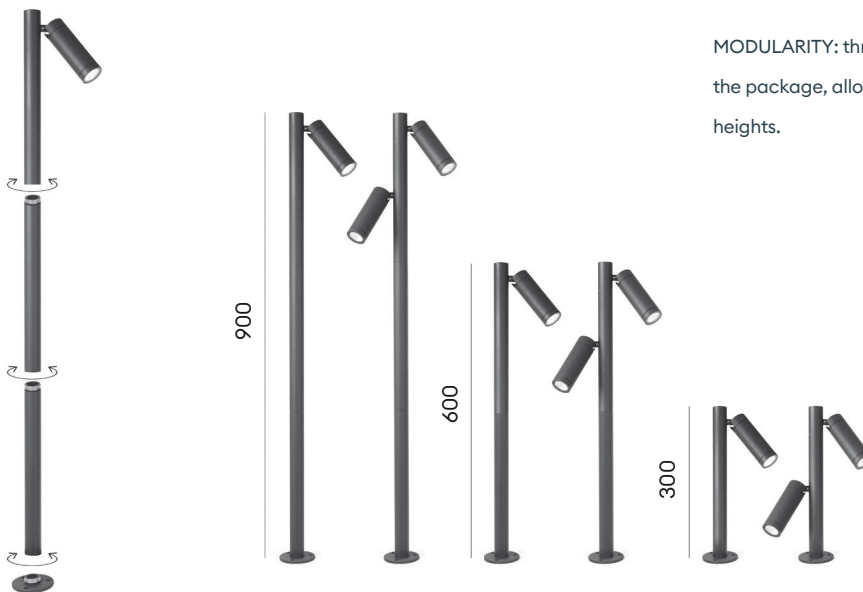
SPOTTY  
2 Lights



LED Bollard for floor installation with adjustable double spotlights. COB LED. Lifetime: 50,000 h (L70B20). Body in painted aluminum in anthracite, grey, white, or dark brown. Beam angle: 30°. Floor mounting system included. IP68 connector included, code **5630**. Driver included.



Code	Colour	Real Lm	System/W	CCT	Beam
<b>PT090/02/M/3K/A</b>	Anthracite	2x400	2x5	3000K	2x30°
<b>PT090/02/M/4K/A</b>	Anthracite	2x500	2x5	4000K	2x30°
<b>PT090/02/M/3K/G</b>	Grey	2x400	2x5	3000K	2x30°
<b>PT090/02/M/4K/G</b>	Grey	2x500	2x5	4000K	2x30°
<b>PT090/02/M/3K/W</b>	White	2x400	2x5	3000K	2x30°
<b>PT090/02/M/4K/W</b>	White	2x500	2x5	4000K	2x30°
<b>PT090/02/M/3K/BR</b>	Dark brown	2x400	2x5	3000K	2x30°
<b>PT090/02/M/4K/BR</b>	Dark brown	2x500	2x5	4000K	2x30°



MODULARITY: three 30 cm sections included in the package, allowing for three selectable heights.

# STRIP LED FLEX

---

**FL3D48** 100

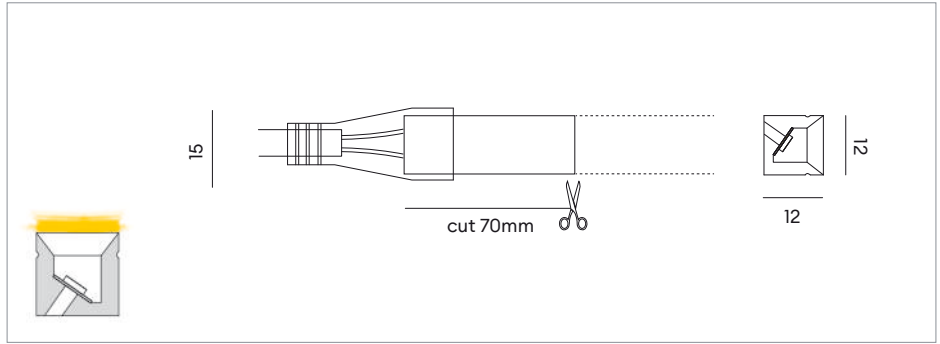
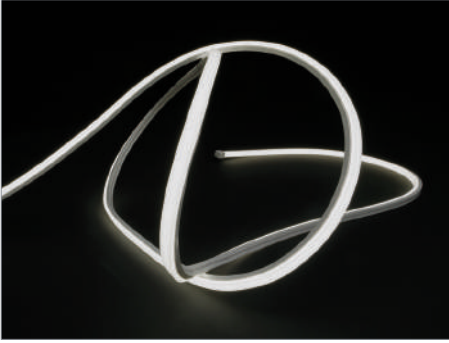
---

**FL230V** 102

---



# FL3D48



Flexible LED light line, flexible in any direction, IP65, 48VDC power supply. Monochromatic LEDs mounted on a flexible circuit encapsulated in white silicone (outer side) and opal silicone (LED side). Length: 15m. Surface installation via aluminum profile or 5m bendable profile. End cap kit included in the package, also available as an accessory. Can be cut every 70 mm.



Code	Length	Real Lm/m	W/m	CCT	LED/m	CUT mm
<b>FL3D48/C</b>	15 m	1000	10	3000K	210	70
<b>FL3D48/N</b>	15 m	1100	10	4000K	210	70

Choose the 48Vdc appropriate power supply, to be ordered separately

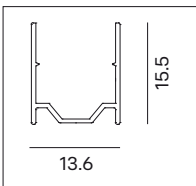
Driver	IP	W	max m.	Driver	IP	W	max m.	Driver	IP	W	max m.	Driver	IP	W	max m.
<b>5747</b>	IP20	60	4.5	<b>5744</b>	IP20	250	20.0	<b>5999</b>	IP67	100	8.0	<b>5997</b>	IP67	320	25.5
<b>5742</b>	IP20	150	12.0	<b>5746</b>	IP20	320	25.5	<b>5995</b>	IP67	150	12.0				
<b>5743</b>	IP20	200	16.0					<b>5996</b>	IP67	240	19.0				

Choose the appropriate control unit, to be ordered separately

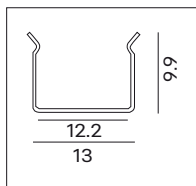
Code	Description
<b>5749</b>	Dimmer DALI monocolour
<b>5769</b>	Dimmer PUSH/1-10V monocolour

Accessories to be ordered separately

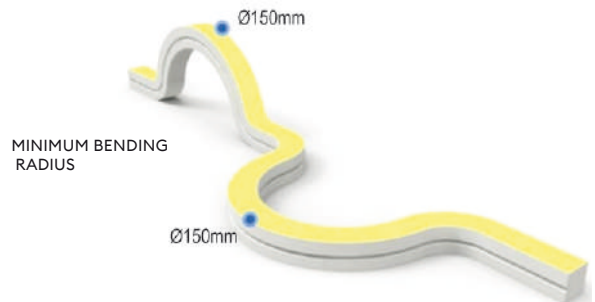
Code	Description
<b>PROF/FLEX/5M</b>	Bendable profile 5m. Fixing screws not included.
<b>PROFILO/FL3D</b>	Aluminium profile 1m
<b>PROF/TRIM/FL3D</b>	<b>NEW</b> Bendable profile 2m, for plasterboard installation
<b>KIT/FL3D/TAPPI</b>	Endcaps kit with 1 front cap + 1 end cap + 30cm wire cable.



**PROFILO/FL3D**



**PROF/FLEX/5M**

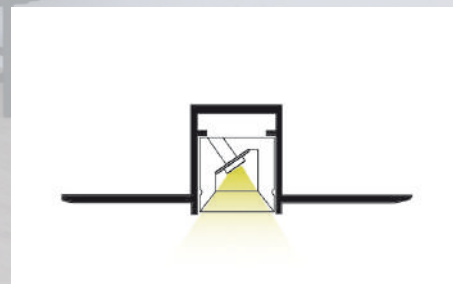
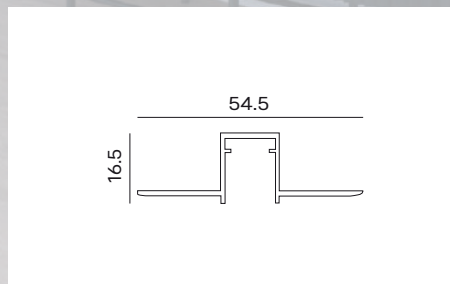


Emergency kit available on request

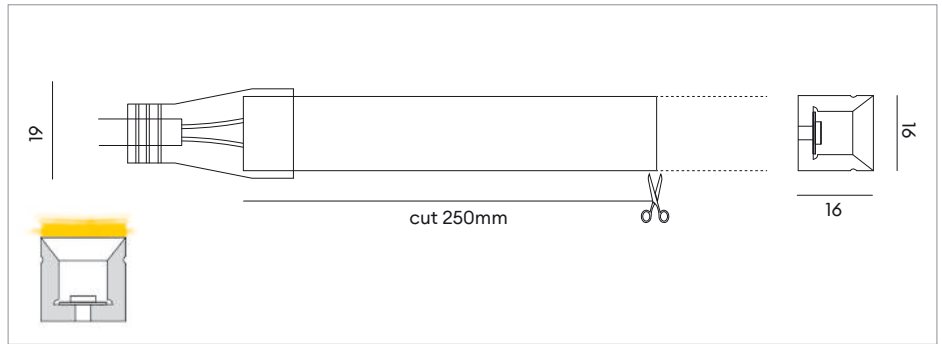
Code	Description
<b>KIT/EMERGENZA/3H</b>	Emergency kit for LED up to 3 hours

# PROF/TRIM/FL3D

Trimless recessed flexible profile for LED flex strip, L. 2m FL3D48:  
the ability to twist the strip in both directions allows the creation of  
continuous curved line effects, capable of meeting any  
architectural requirement.  
**CLEANLINESS, FLOWING LINES, AND ELEGANCE.**



# FL230V



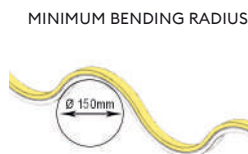
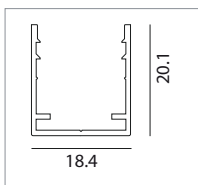
Flexible linear LED line IP65, direct 230V supply. Monochrome LEDs mounted on a flexible circuit encapsulated in white silicone (outer side) and opal silicone (LED side). Available lengths: 5m and 20m. Surface installation via clips or aluminum profile. End cap kit (1 pc) and clip kit (10 clips with 10 screws) included in the package, only for the 5m version. Can be cut every 25cm.



Code	Length	Real Lm/m	W/m	CCT	LED/m	CUT mm
<b>FL230/2700K/05</b>	5 m	1160	14.5	2700K	168	250
<b>FL230/C/05</b>	5 m	1225	14.5	3000K	168	250
<b>FL230/N/05</b>	5 m	1245	14.5	4000K	168	250
<b>FL230/2700K/20</b>	20 m	1160	14.5	2700K	168	250
<b>FL230/C/20</b>	20 m	1225	14.5	3000K	168	250
<b>FL230/N/20</b>	20 m	1245	14.5	4000K	168	250

Accessories to be ordered separately

Code	Description
<b>KIT/FL230/CLIP</b>	Kit with n.2 fixing aluminium clip 25mm + n.2 screws
<b>KIT/FL230/TAPPI</b>	Kit with n.1 end cap with hole + n.1 end cap without hole + 50cm supply cable
<b>PROFILO/FL230</b>	Aluminium profile 1m
<b>PROFILO/FL230/2M</b>	Aluminium profile 2m



**PROFILO/FL230**



# NOTES





+39 0362 1788403

[info@inovara-international.com](mailto:info@inovara-international.com)

[inovara-international.com](http://inovara-international.com)

 By INOVARA